

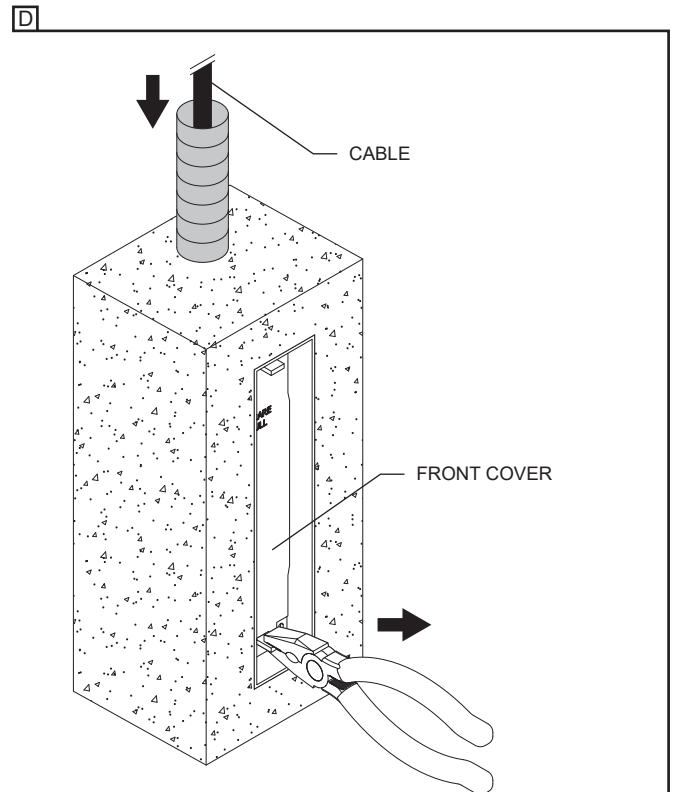
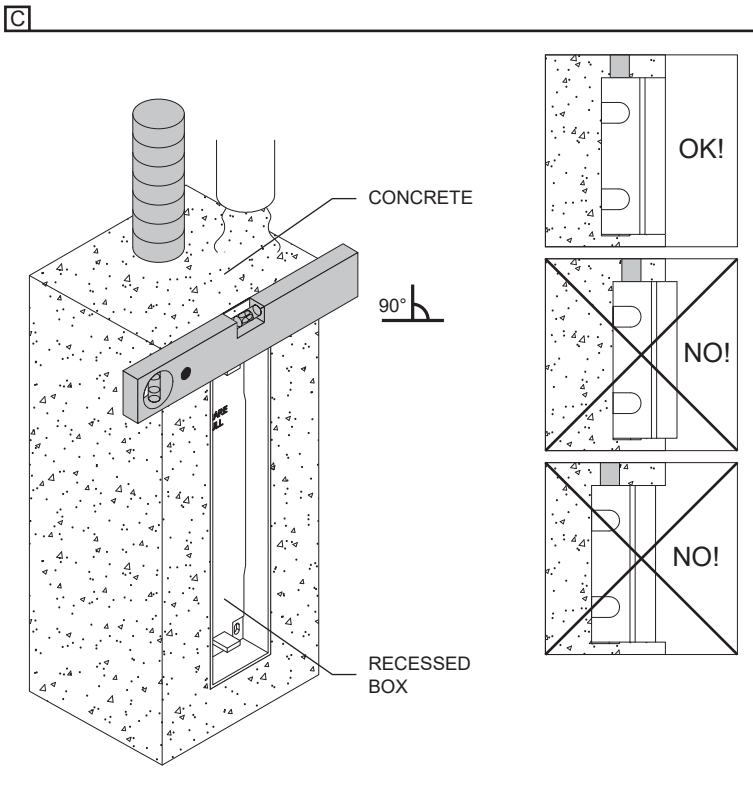
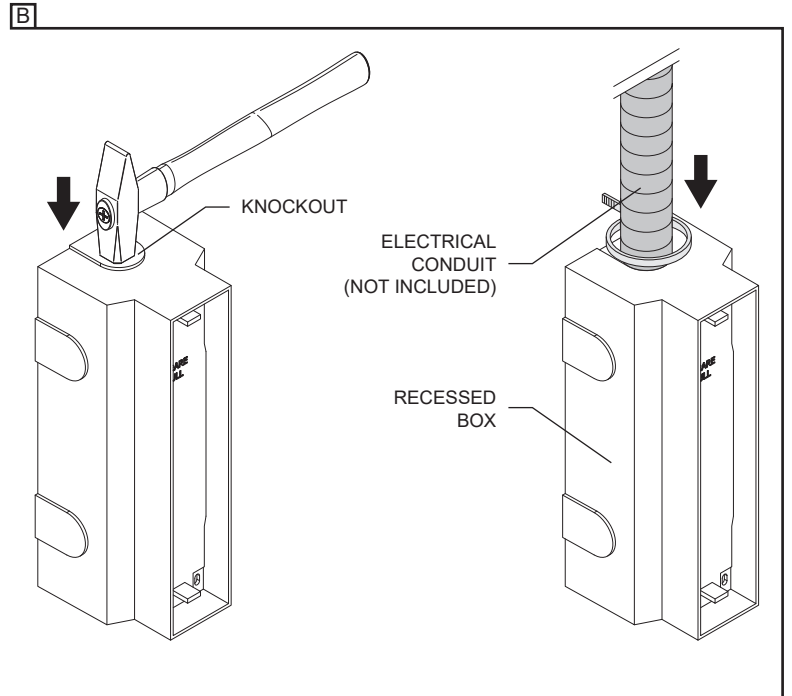
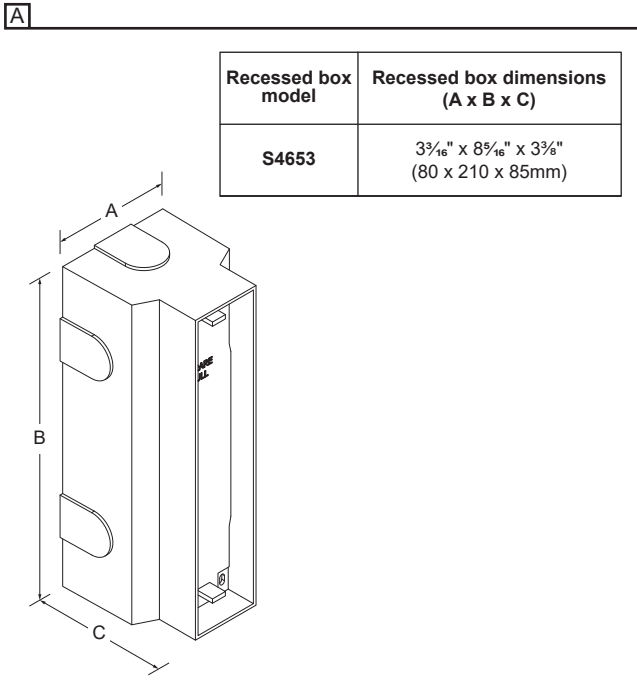
# STEP

WALL RECESSED MODEL: S4655

**IMPORTANT** - READ CAREFULLY BEFORE INSTALLING FIXTURE. RETAIN THESE INSTRUCTIONS FOR FUTURE REFERENCE. THIS PRODUCT MUST BE INSTALLED IN ACCORDANCE WITH THE NATIONAL ELECTRICAL CODE AND ALL APPLICABLE LOCAL CODES, BY A PERSON FAMILIAR WITH THE CONSTRUCTION AND OPERATION OF THE PRODUCT, AND THE HAZARDS INVOLVED. PROPER GROUNDING IS REQUIRED FOR SAFETY.

## RECESSED BOX INSTALLATION

- A- PLACE THE RECESSED BOX INTO THE WALL (**SEE DIMENSIONS BELOW**).
- B- REMOVE THE APPROPRIATE KNOCKOUT AND INSTALL APPROPRIATE ELECTRICAL CONDUITS (**NOT INCLUDED**) INTO THE RECESSED BOX.
- C- POUR CONCRETE AND MAKE SURE THAT THE RECESSED BOX OPENING IS FLUSH WITH THE CONCRETE.
- D- FEED THE CABLE THROUGH THE RECESSED BOX AND PULL THE RECESSED BOX FRONT COVER ONCE THE CONCRETE IS SET.



# STEP

WALL RECESSED MODEL: S4655

## FIXTURE INSTALLATION INTO RECESSED BOX INTEGRAL DRIVER (120-277V) DIMMING 0-10V (5%)

- A- MAKE NECESSARY WIRE CONNECTIONS (**FOLLOWING WIRING DIAGRAM**) USING WATERTIGHT TWIST CONNECTORS (**NOT INCLUDED**).
- B- INSERT THE FIXTURE INTO THE BACKBOX AND PUSH UNTIL YOU HEAR IT CLICK INTO PLACE.

