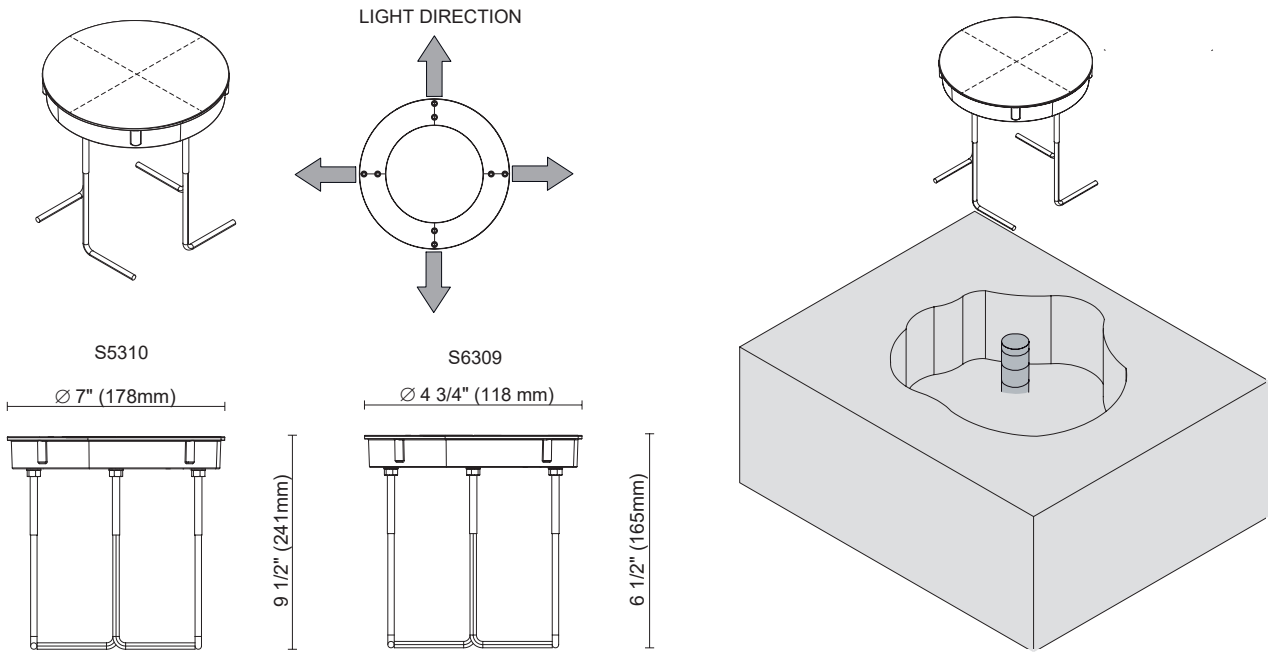


IMPORTANT - READ CAREFULLY BEFORE INSTALLING FIXTURE. RETAIN THESE INSTRUCTIONS FOR FUTURE REFERENCE.
 THIS PRODUCT MUST BE INSTALLED IN ACCORDANCE WITH THE NATIONAL ELECTRICAL CODE AND ALL APPLICABLE LOCAL CODES, BY A PERSON FAMILIAR WITH THE CONSTRUCTION AND OPERATION OF THE PRODUCT, AND THE HAZARDS INVOLVED. PROPER GROUNDING IS REQUIRED FOR SAFETY.

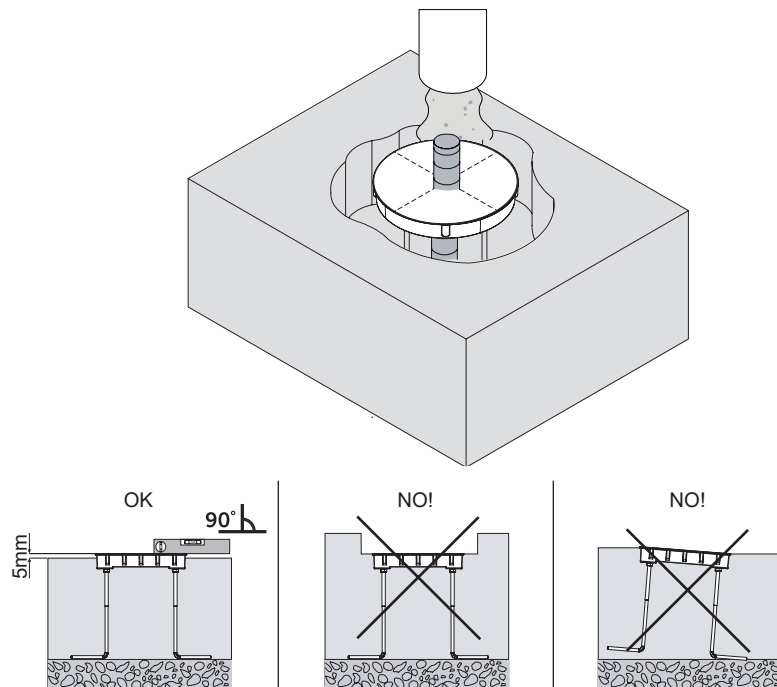
NEW CONCRETE INSTALLATION PREPARATION (WITH FLANGE ACCESSORY S5310, S6309)

- A- PREPARE THE DESIRED DRAINING USING GRAVEL UNDER THE FLANGE.
- B- INSTALL AN APPROPRIATE ELECTRICAL CONDUIT (NOT INCLUDED) THROUGH THE FLANGE.
- C- FEED CABLE THROUGH THE ELECTRICAL CONDUIT.
- D- POUR CONCRETE IN AND MAKE SURE THAT IT IS LEVELED AD IT SITS 5MM UNDER THE TOP OF THE FLANGE
- E- REMOVE THE PROTECTION PAPER BEFORE INSTALLING BASE.

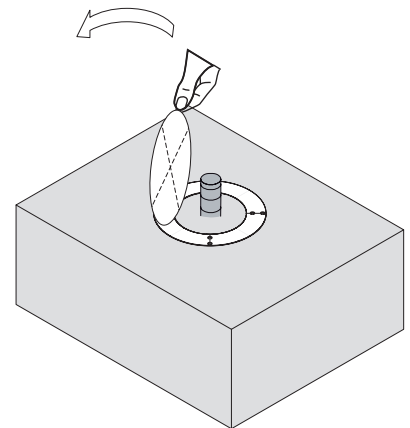
A+B+C



D



E

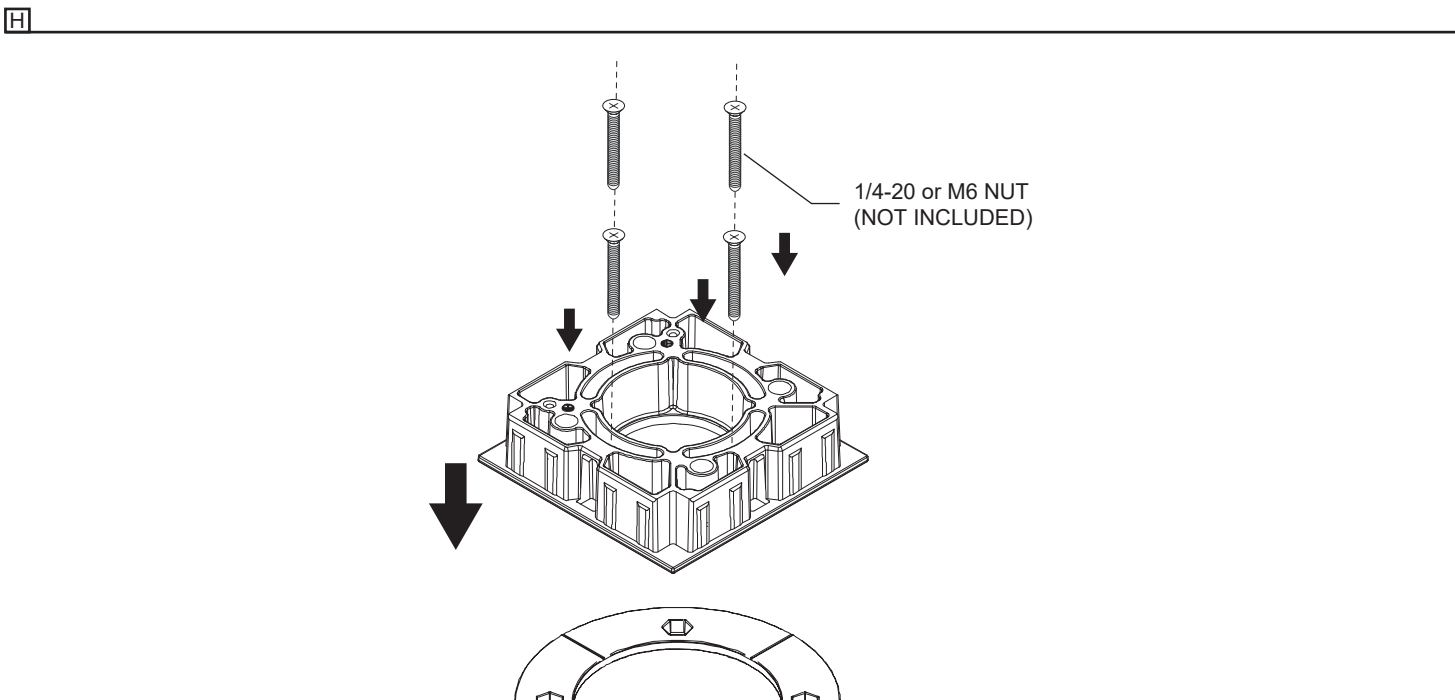
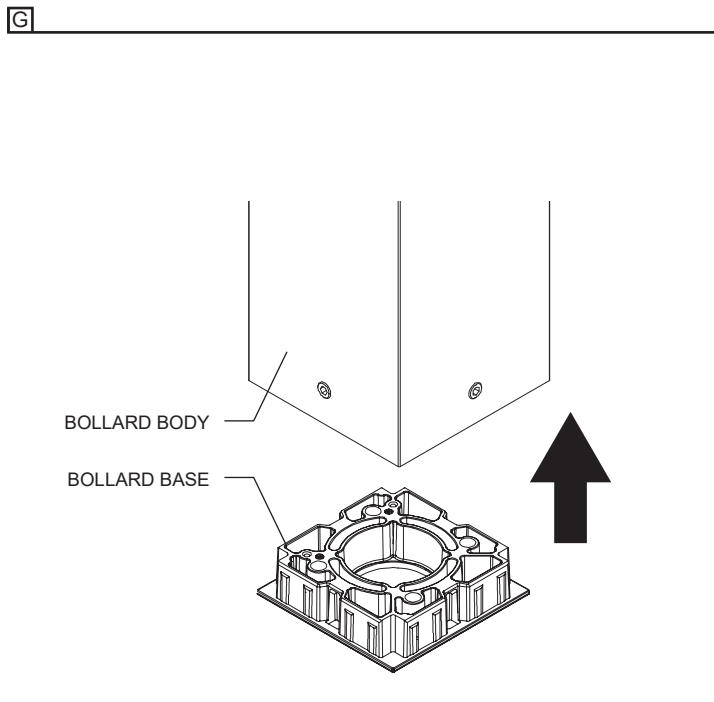
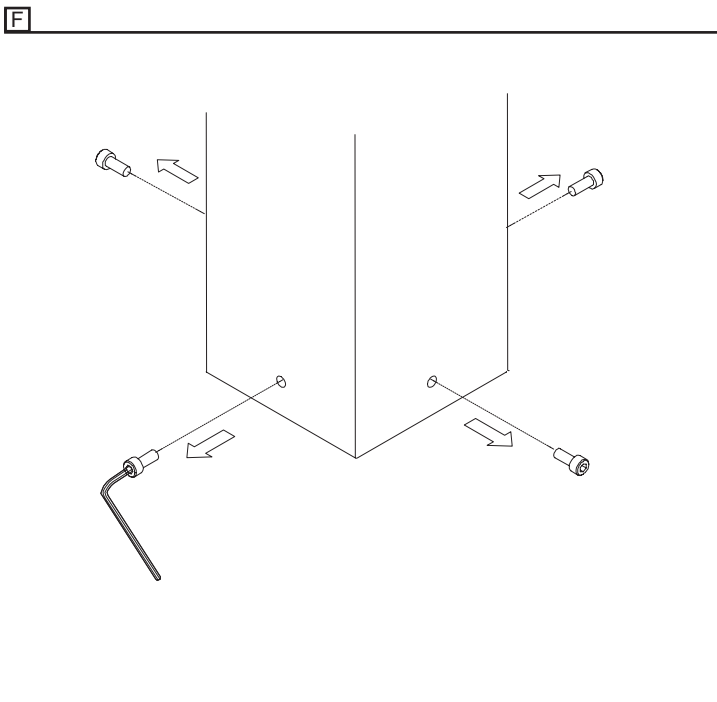


NEW CONCRETE INSTALLATION PREPARATION (WITH FLANGE ACCESSORY S5310, S6309)

F- UNFASTEN THE (4) SCREWS AT BOTTOM OF BOLLARD USING THE ALLEN KEY (INCLUDED).

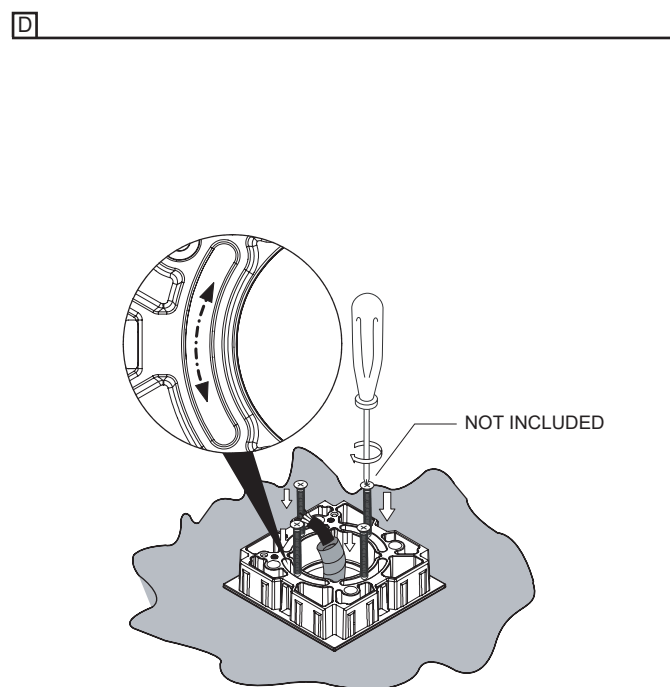
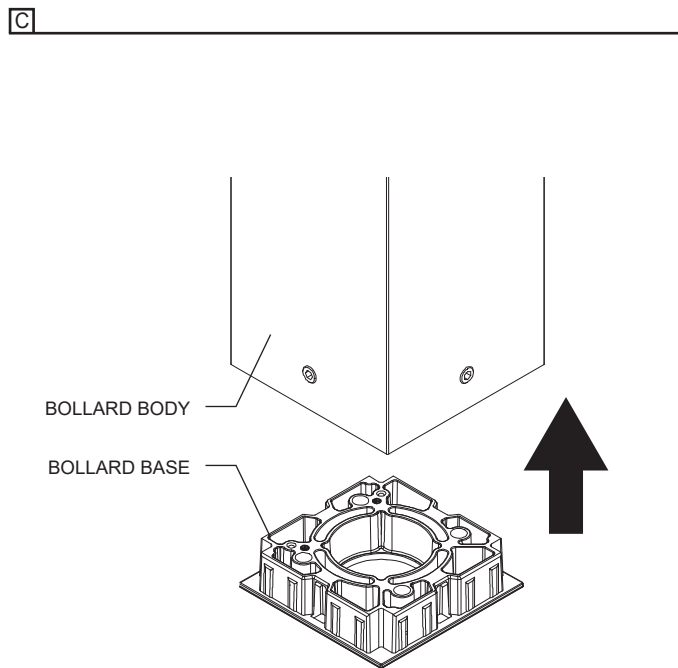
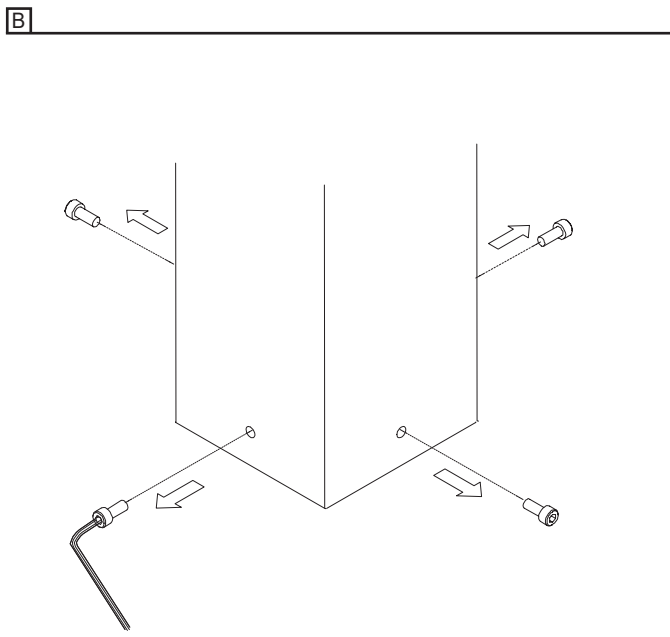
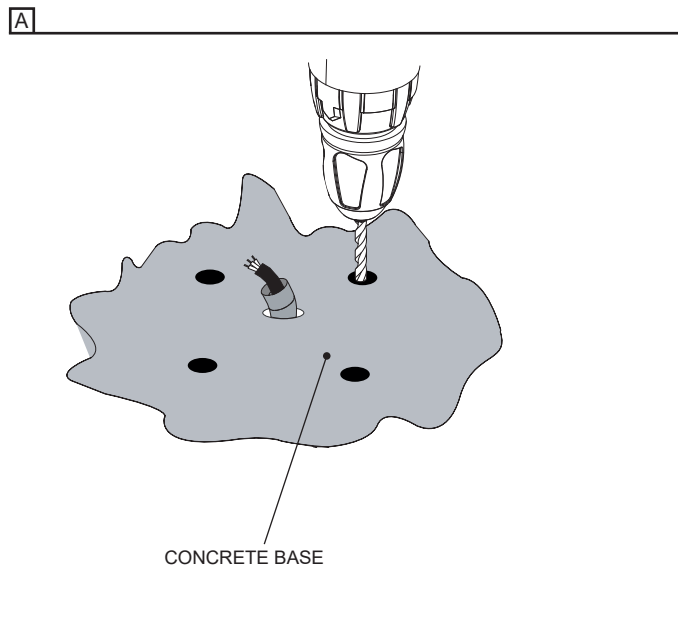
G- REMOVE THE BOLLARD BODY FROM THE BOLLARD BASE.

H- LOWER THE BOLLARD BASE ON THE FLANGE AND FIX IT TIGHTLY WITH APPROPRIATE SCREWS AND WASHERS (NOT INCLUDED)



PRE-EXISTING SURFACE INSTALLATION PREPARATION

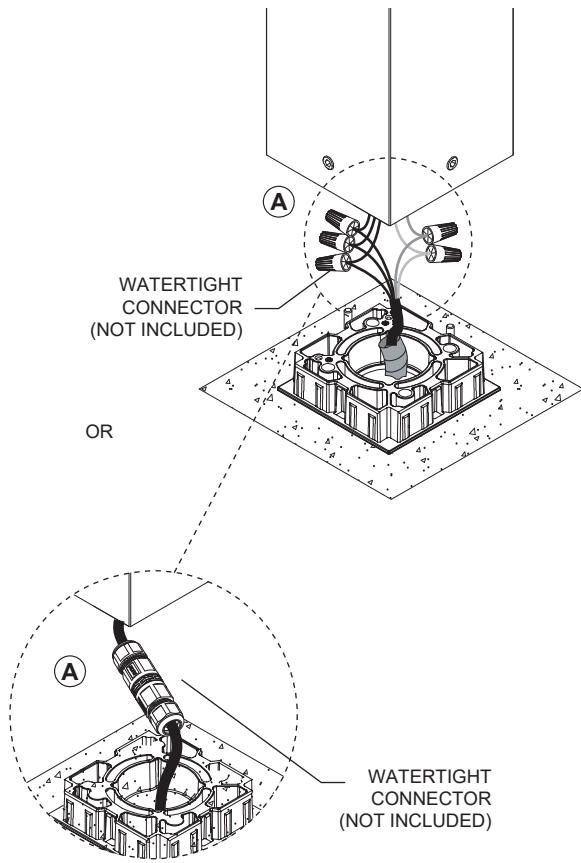
- A- MAKE HOLE IN CONCRETE SURFACE OR OTHER. USE ANCHORS IF NECESSARY (4X TYP. NOT INCLUDED)
- B- UNFASTEN THE 4 SCREWS AT THE BOTTOM OF BOLLARD USING ALLEN KEY (INCLUDED)
- C- REMOVE BOLLARD BODY FROM BOLLARD BASE
- D- FASTEN BOLLARD BASE TO LEVELLED SURFACE USING (4X TYP.) SCREWS (NOT INCLUDED)



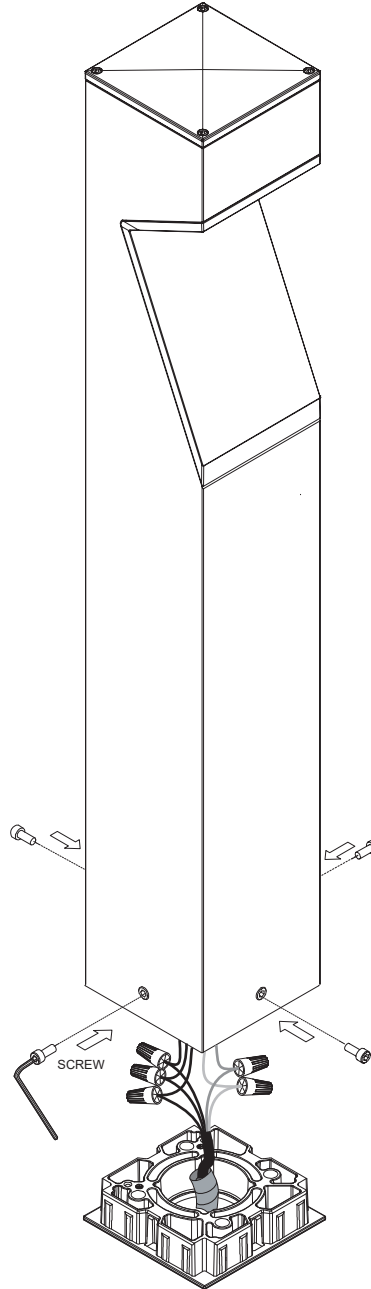
FIXTURE INSTALLATION INTEGRAL DRIVER 120-277V (UNV) DIMMING 0-10V (D10)

- A- MAKE THE NECESSARY WIRE CONNECTIONS (SEE WIRING DIAGRAM) USING WATERTIGHT CONNECTORS (NOT INCLUDED)
- B- FASTEN THE BOLLARD BODY BACK ON ITS BASE USING THE (4) SCREWS WITH THE ALLEN KEY (INCLUDED).

A+B

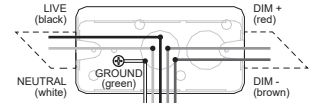


***COVER DIMMING CABLES IF NOT USING



WIRING DIAGRAM

DIMMING 0-10V (D10)
120-277V



FIXTURE CABLES