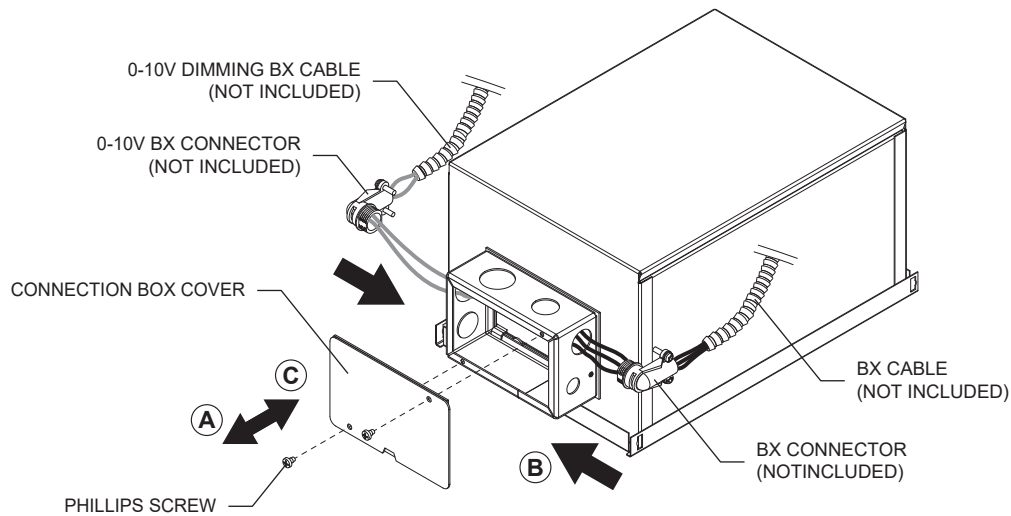


IMPORTANT - READ CAREFULLY BEFORE INSTALLING FIXTURE. RETAIN THESE INSTRUCTIONS FOR FUTURE REFERENCE.
THIS PRODUCT MUST BE INSTALLED IN ACCORDANCE WITH THE NATIONAL ELECTRICAL CODE AND ALL APPLICABLE LOCAL CODES, BY A PERSON FAMILIAR WITH THE CONSTRUCTION AND OPERATION OF THE PRODUCT, AND THE HAZARDS INVOLVED. PROPER GROUNDING IS REQUIRED FOR SAFETY.

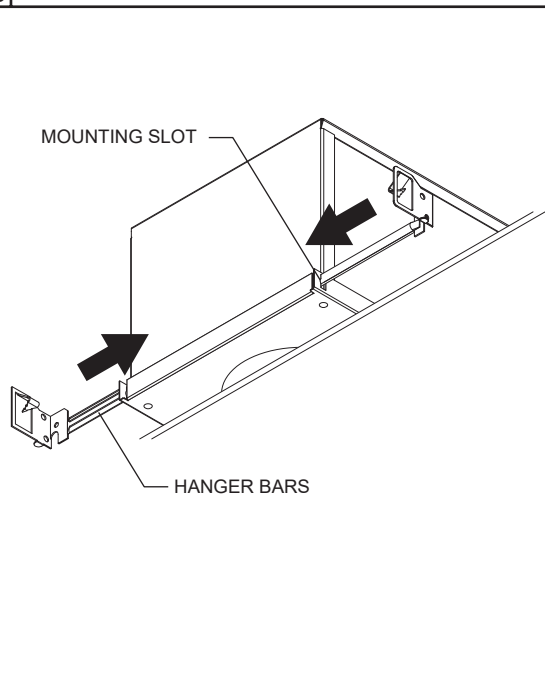
NEW CONSTRUCTION HOUSING INSTALLATION INTEGRAL DRIVER (120-277V) DIMMING 0-10V (15%)

- A- UNSCREW THE (2) PHILLIPS SCREWS TO REMOVE THE CONNECTION BOX COVER.
- B- FEED IN (2) BX CABLES (**NOT INCLUDED**) USING BX CONNECTOR (**NOT INCLUDED**).
- C- CLOSE THE CONNECTION BOX.
- D- ENGAGE THE (4) HANGER BARS THROUGH THE AVAILABLE MOUNTING SLOTS AND CONNECT THEM TOGETHER.
- E- SCREW THE HANGER BARS TO THE CEILING BRACES USING #8 SCREWS (**NOT INCLUDED**). THE HOUSING MUST BE FLUSH WITH THE BOTTOM OF THE CEILING BRACES.

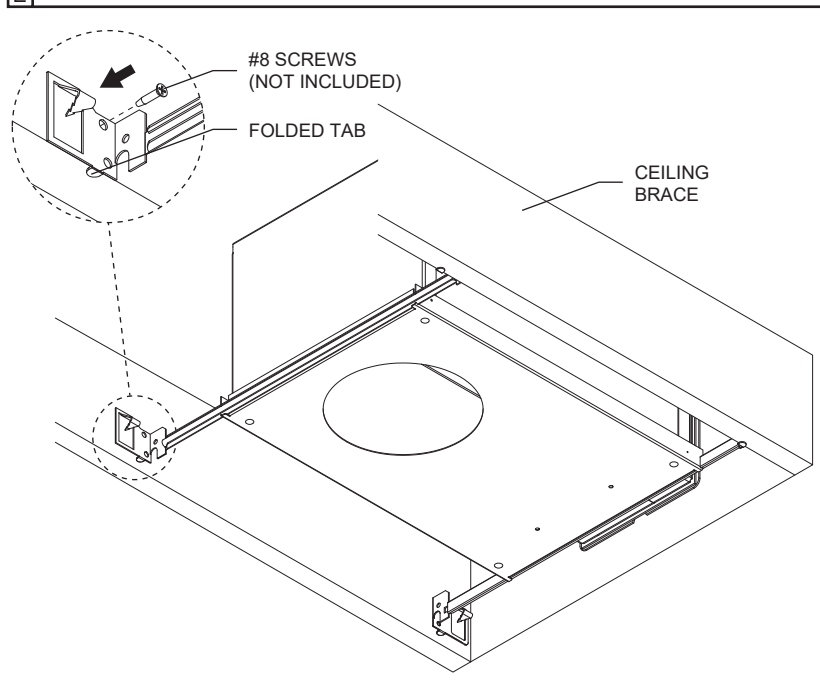
A + B + C



D



E



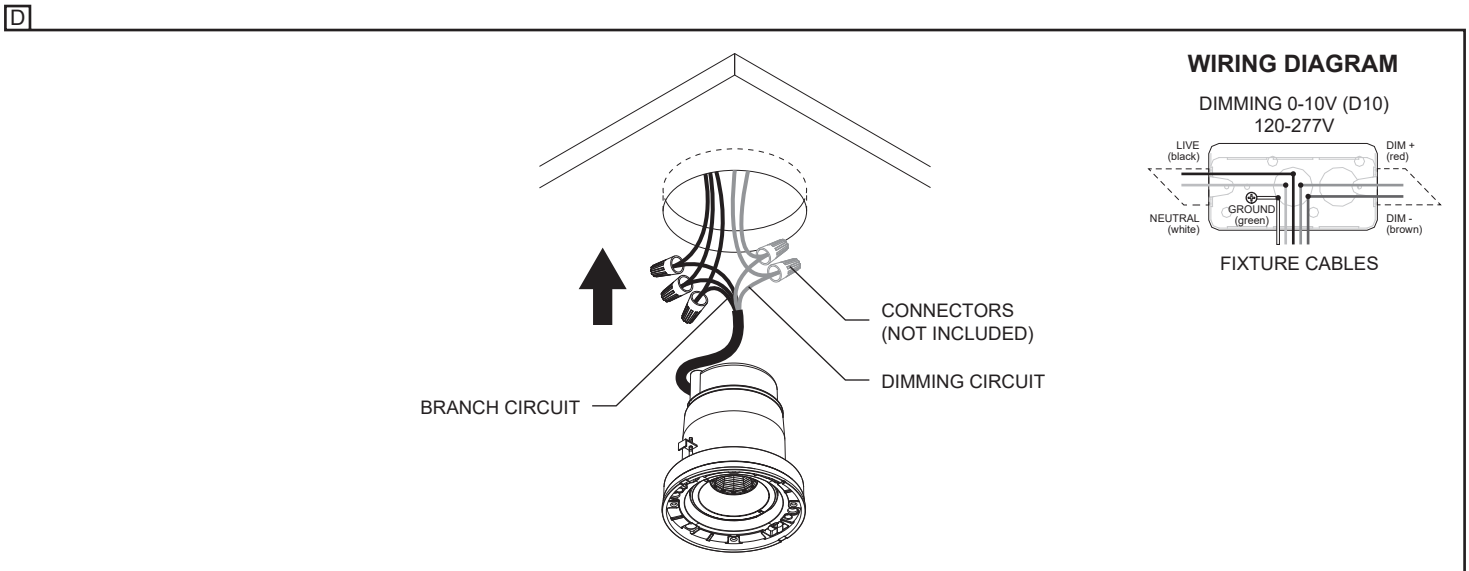
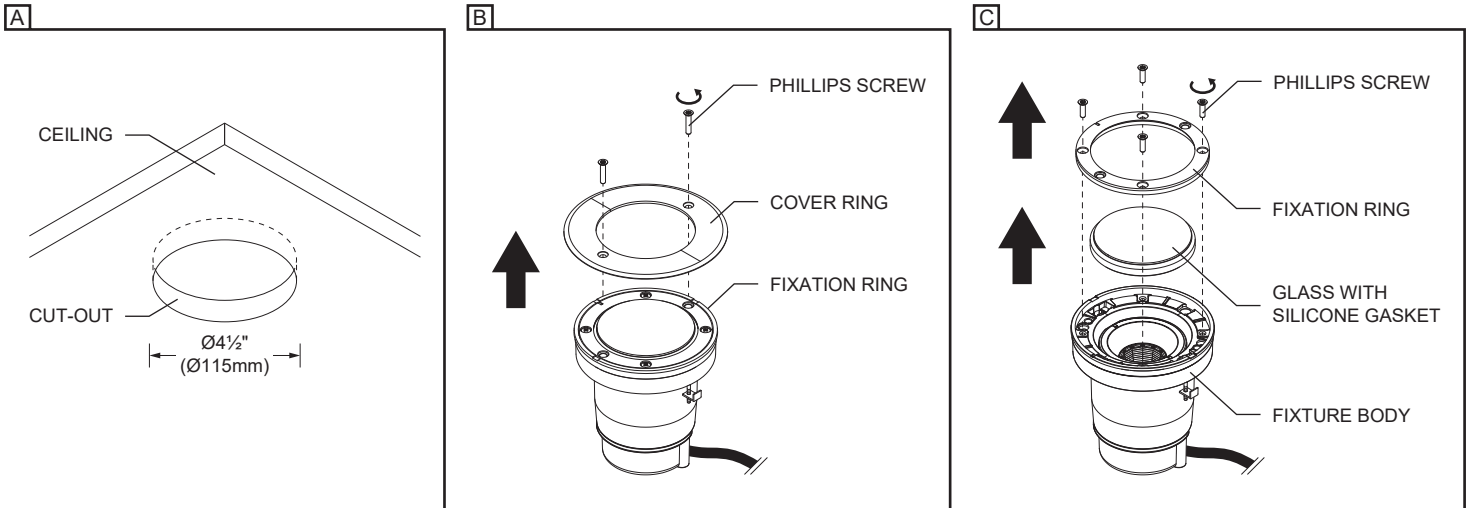
REMODEL FIXTURE INSTALLATION INTEGRAL DRIVER (120-277V) DIMMING 0-10V (15%)

A- MAKE THE CEILING CUT-OUT (SEE DIMENSION BELOW).

B- UNSCREW THE (4) COVER RING PHILLIPS SCREWS.

C- UNSCREW THE (4) FIXATION RING PHILLIPS SCREWS AND PULL THE GLASS WITH SILICONE GASKET FROM THE FIXTURE BODY.

D- MAKE THE NECESSARY WIRE CONNECTIONS (FOLLOWING WIRING DIAGRAM) USING CONNECTORS (NOT INCLUDED) AND INSERT THE FIXTURE INTO THE CEILING.



E- TIGHTEN THE (2) BRACKET SCREWS TO LOWER THE BRACKET UNTIL THE FIXTURE IS SECURELY HELD IN PLACE.

F- SET TO THE DESIRED ANGLE ($\pm 15^\circ$) BY PUSHING ON THE OPTIC NOTCHES.

G- REASSEMBLE THE FIXTURE:

- 1- PUSH THE GLASS WITH SILICONE GASKET INTO THE FIXTURE BODY.
- 2- SCREW THE FIXATION RING IN THE FIXTURE BODY USING THE (4) PHILLIPS SCREWS.
- 3- SCREW THE COVER RING IN THE FIXATION RING USING THE (4) PHILLIPS SCREWS.

