

WALK-OVER ROUND MODELS: S7864, S7891, S7892, S7893, S8864, S8891, S8892, S8893
 WALK-OVER SQUARE MODELS: S7884, S7895, S7896, S7897, S8884, S8895, SS8896, S8897

IMPORTANT - READ CAREFULLY BEFORE INSTALLING FIXTURE. RETAIN THESE INSTRUCTIONS FOR FUTURE REFERENCE.
 THIS PRODUCT MUST BE INSTALLED IN ACCORDANCE WITH THE NATIONAL ELECTRICAL CODE AND ALL APPLICABLE LOCAL CODES, BY A PERSON FAMILIAR WITH THE CONSTRUCTION AND OPERATION OF THE PRODUCT, AND THE HAZARDS INVOLVED. PROPER GROUNDING IS REQUIRED FOR SAFETY.

BACK BOX INSTALLATION

A- PREPARE THE DESIRED DRAINING EQUIPMENT TO ENSURE COMPLETE BACK BOX DRAINAGE IN UNDER 30 MINUTES:

NEW INSTALLATION: 8" TO 12" (20-30cm) OF GRAVEL UNDER THE BACK BOX.

OVER EXISTING SURFACES: INSTALL A DRAINING PIPE TO THE BACK BOX.

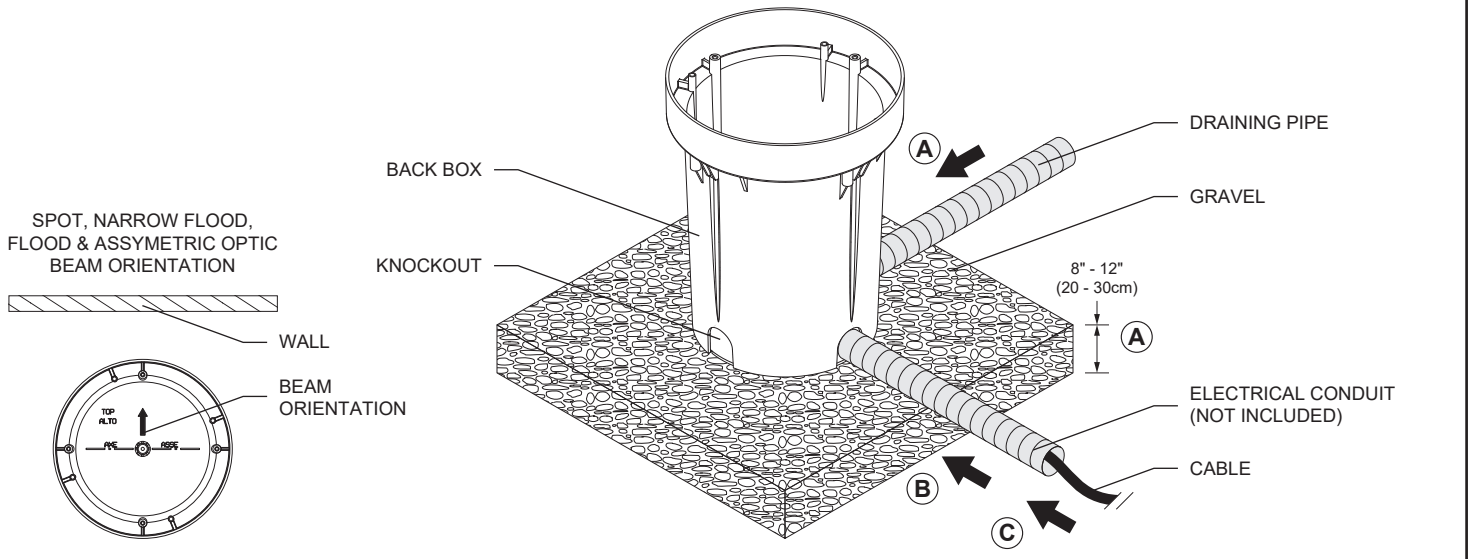
B- REMOVE THE DESIRED KNOCKOUT AND INSTALL AN APPROPRIATE ELECTRICAL CONDUIT (**NOT INCLUDED**) INTO THE BACK BOX.

C- FEED CABLE THROUGH THE ELECTRICAL CONDUIT.

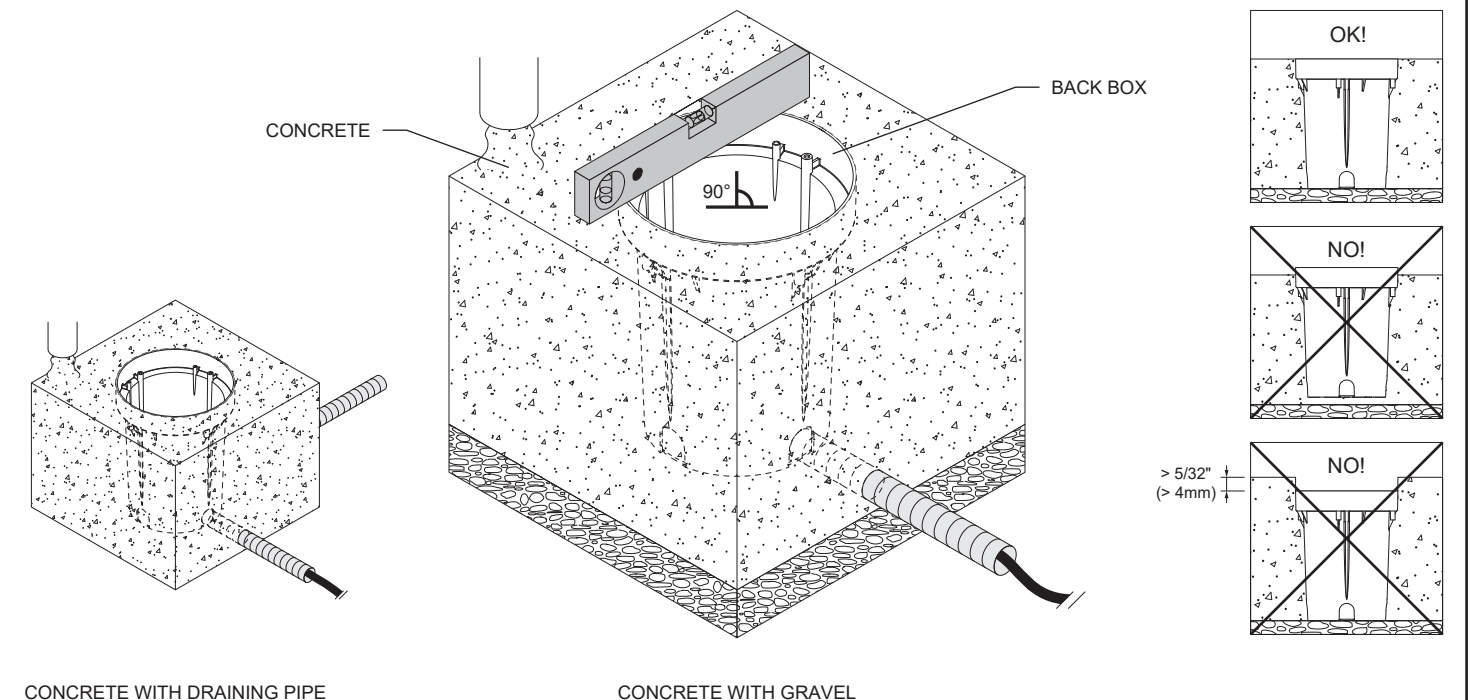
D- POUR CONCRETE IN AND MAKE SURE THAT THE BACK BOX OPENING IS FLUSH WITH THE CONCRETE.

DO NOT EXCEED 5/32" (4mm) OF CONCRETE ABOVE THE BACK BOX OPENING.

A + B + C

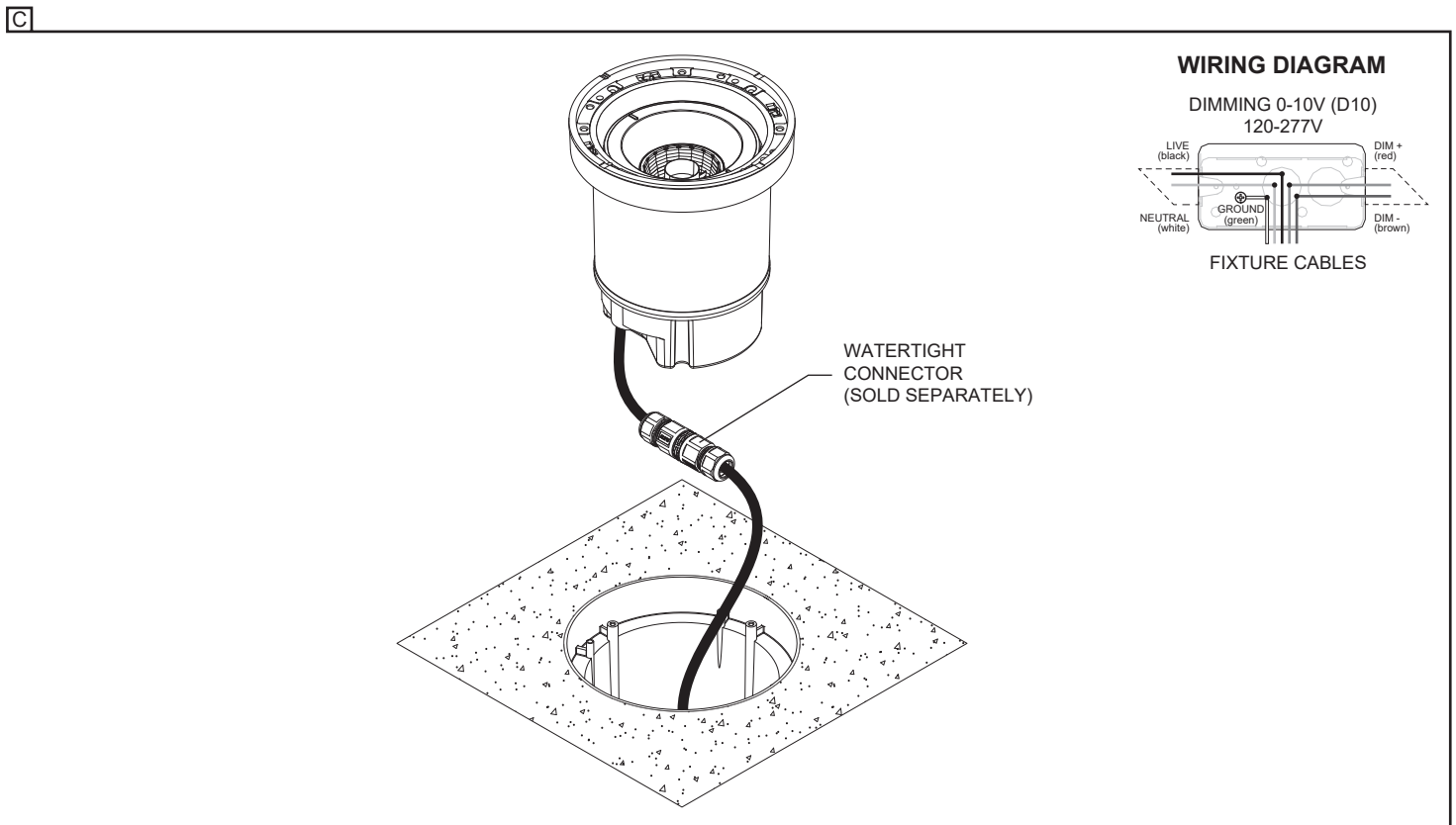
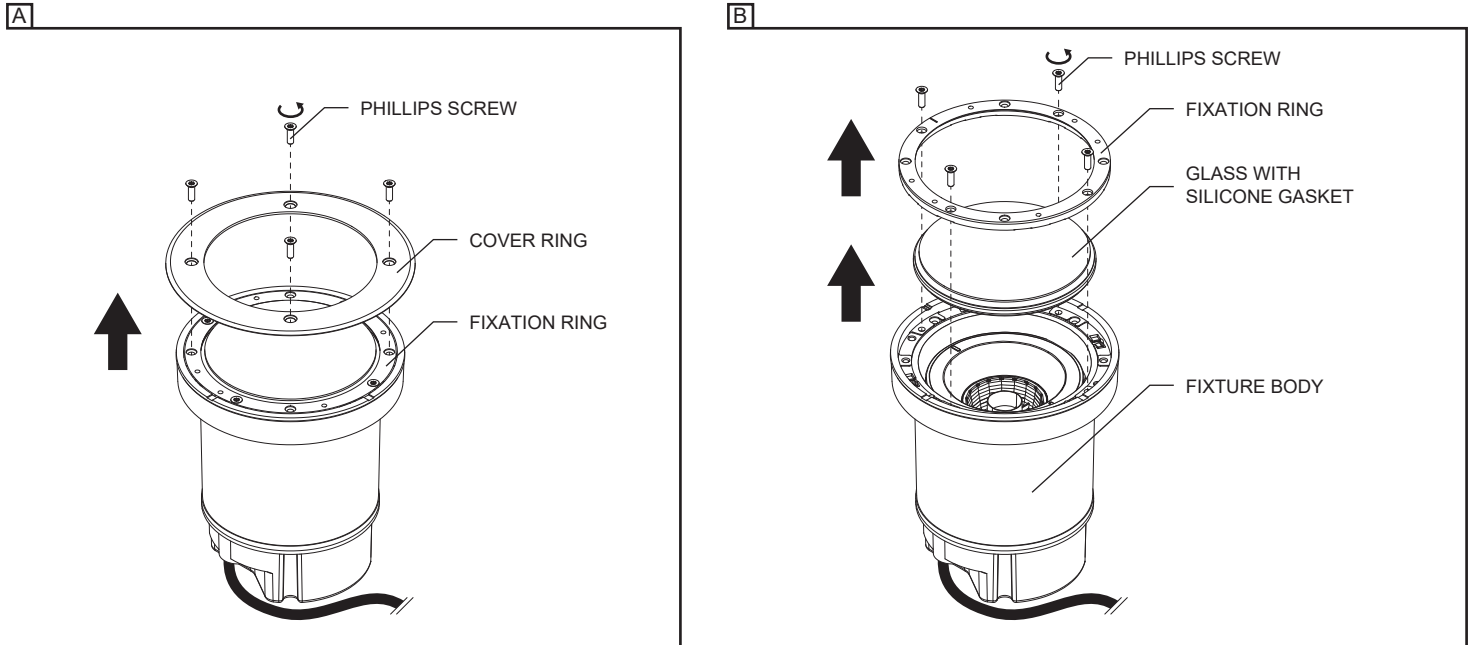


D



FIXTURE INSTALLATION INTEGRAL DRIVER (120-277V) DIMMING 0-10V (15%)

- A- UNSCREW THE (4) COVER RING PHILLIPS SCREWS.
- B- UNSCREW THE (4) FIXATION RING PHILLIPS SCREWS AND PULL THE GLASS WITH SILICONE GASKET FROM THE FIXTURE BODY.
- C- MAKE THE NECESSARY WIRE CONNECTIONS (**FOLLOWING WIRING DIAGRAM**) USING WATERTIGHT CONNECTORS (**SOLD SEPARATELY**).



WALK-OVER ROUND MODELS: S7864, S7891, S7892, S7893, S8864, S8891, S8892, S8893
 WALK-OVER SQUARE MODELS: S7884, S7895, S7896, S7897, S8884, S8895, S8896, S8897

D- INSTALL THE FIXTURE INTO THE BACK BOX USING THE (4) PHILLIPS SCREWS (INCLUDED).

***BEFORE SCREWING THE FIXTURE IN THE BACK BOX:**

IF YOU HAVE UNDER 5/32" (4mm) OF CONCRETE EXCEEDING THE BACK BOX, LIFT THE FIXTURE BODY FLUSH WITH THE RECESSED BOX BY SCREWING (2) SET SCREWS (INCLUDED) USING THE ALLEN KEY (INCLUDED).

E- FOR MODELS WITH SPOT, NARROW FLOOD, FLOOD AND ASYMMETRIC OPTICS:

SET TO THE DESIRED ANGLE ($\pm 15^\circ$) BY PUSHING ON THE OPTIC NOTCHES.

F- REASSEMBLE THE FIXTURE:

- 1- PUSH THE GLASS WITH SILICONE GASKET INTO THE FIXTURE BODY.
- 2- SCREW THE FIXATION RING IN THE FIXTURE BODY USING THE (4) PHILLIPS SCREWS.
- 3- SCREW THE COVER RING IN THE FIXATION RING USING THE (4) PHILLIPS SCREWS.

