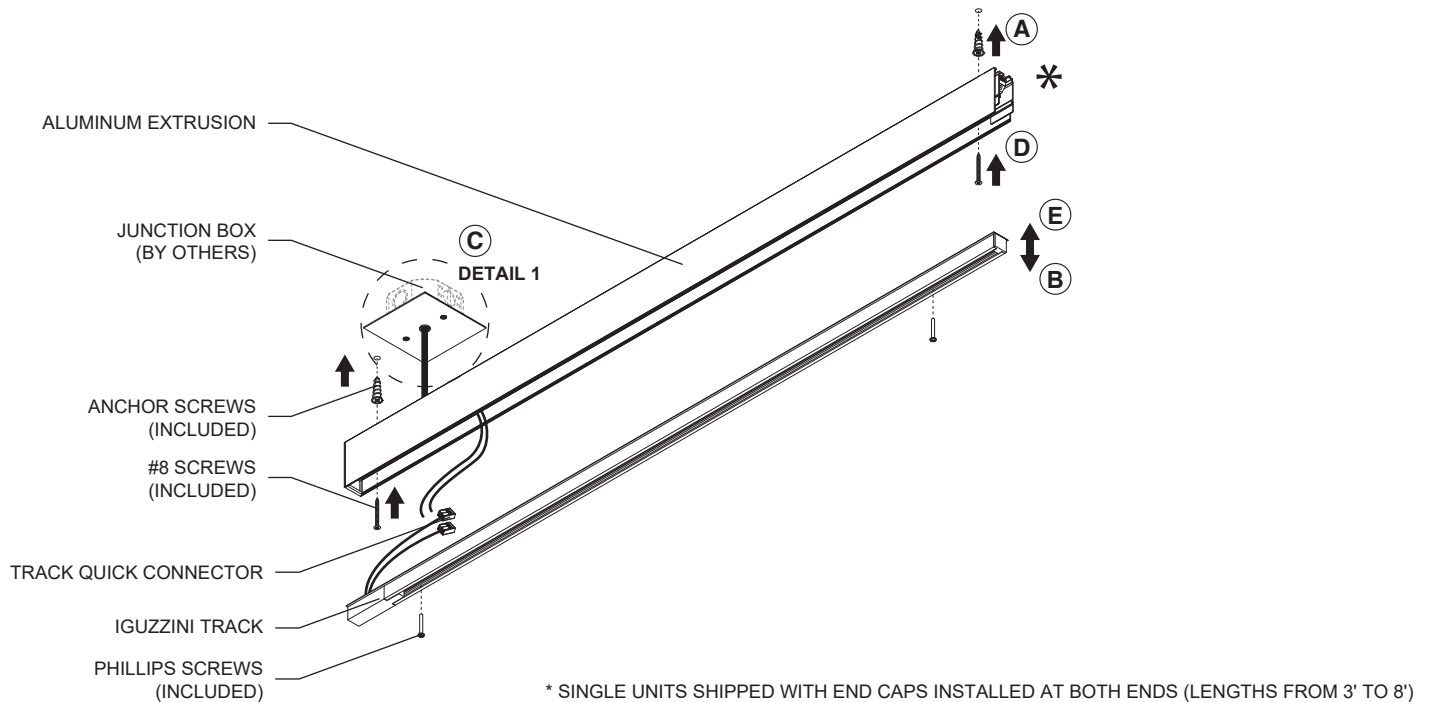


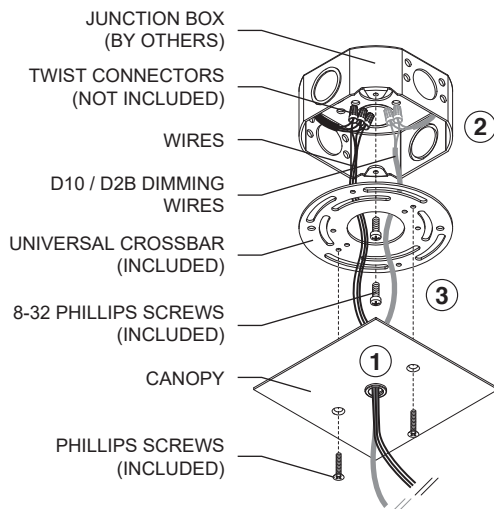
IMPORTANT - READ CAREFULLY BEFORE INSTALLING FIXTURE. RETAIN THESE INSTRUCTIONS FOR FUTURE REFERENCE. THIS PRODUCT MUST BE INSTALLED IN ACCORDANCE WITH THE NATIONAL ELECTRICAL CODE AND ALL APPLICABLE LOCAL CODES, BY A PERSON FAMILIAR WITH THE CONSTRUCTION AND OPERATION OF THE PRODUCT, AND THE HAZARDS INVOLVED. PROPER GROUNDING IS REQUIRED FOR SAFETY.

SINGLE UNIT INSTALLATION (LENGTHS FROM 3' TO 8') INTEGRAL DRIVER (120 / 277V) DIMMING DALI OR 0-10V (7%)

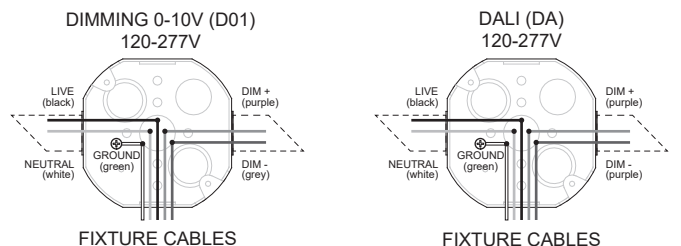
- A- PREPARE CEILING WITH ANCHOR SCREWS (SEE TABLE ON PAGE 3).
- B- UNSCREW THE IGUZZINI TRACK (2) PHILLIPS SCREWS TO REMOVE IT AND DISCONNECT THE QUICK CONNECTORS.
- C- **SEE DETAIL 1:**
 - 1- PASS WIRES THROUGH THE CANOPY.
 - 2- MAKE NECESSARY WIRE CONNECTIONS (SEE WIRING DIAGRAM) USING TWIST CONNECTORS (NOT INCLUDED).
 - 3- INSTALL UNIVERSAL CROSSBAR USING PHILLIPS SCREWS (INCLUDED) AND THE CANOPY USING PHILLIPS SCREWS (INCLUDED).
- D- INSTALL ALUMINUM EXTRUSION TO THE CEILING USING #8 SCREWS (INCLUDED) INTO THE ANCHOR SCREWS.
- E- RECONNECT THE TRACK AND SCREW IT BACK INTO THE ALUMINUM EXTRUSION.



DETAIL 1

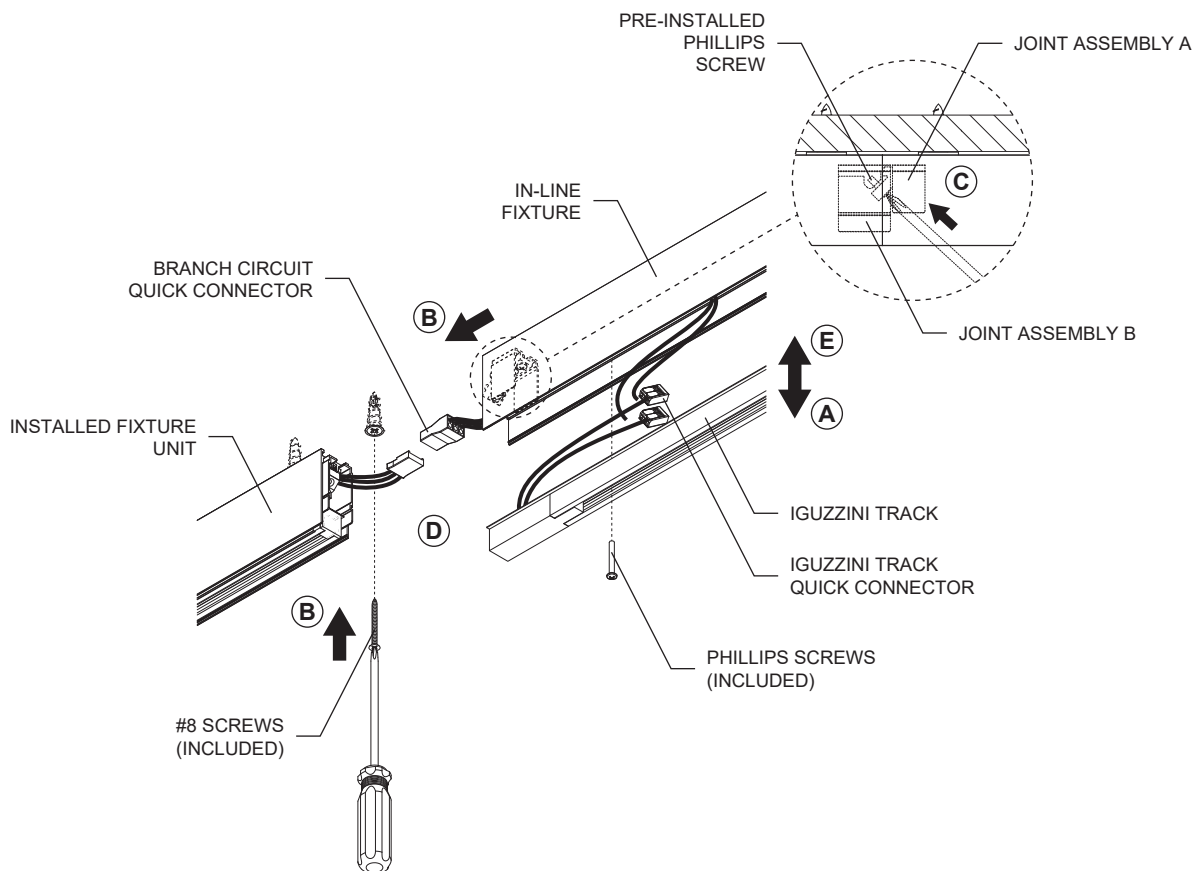


WIRING DIAGRAM*



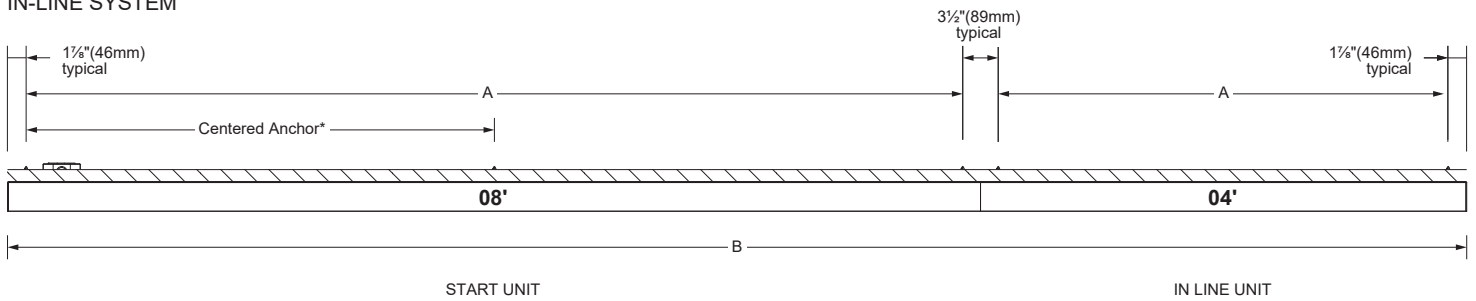
IN-LINE UNIT INSTALLATION (LENGTHS FROM 9' AND MORE)

- A- UNSCREW THE IGUZZINI TRACK (2) PHILLIPS SCREW TO REMOVE IT AND DISCONNECT THE QUICK CONNECTORS.
- B- INSTALL THE IN-LINE FIXTURE TO THE CEILING USING #8 SCREWS (INCLUDED) INTO THE ANCHOR SCREWS.
*DO NOT COMPLETELY SCREW THE UNIT FOR THE NEXT STEP.
- C- ALIGN THE FIXTURES AND JOIN THEM TOGETHER BY TIGHTENING THE PRE-INSTALLED PHILLIPS SCREW ON THE JOINT ASSEMBLY A TO THE JOINT ASSEMBLY B. DO NOT OVERTIGHTEN AND MAKE SURE TO NOT SQUEEZE ANY CABLES.
- D- MAKE THE NECESSARY CONNECTIONS USING THE QUICK CONNECTORS.
- E- SCREW THE TRACK BACK INTO THE ALUMINUM EXTRUSION.



SURFACE ANCHOR POINTS DISTANCE AND FEED QUANTITY

IN-LINE SYSTEM



*Units over 4' nominal length require a centered anchor.

Unit	Anchor distance (A)
04	3'-8 ⁵ / ₁₆ " (1,125m)
08	3'-10 ¹ / ₈ " (1,171m)

ANCHOR POINTS FOR LINEAR SURFACE ALL CONFIGURATIONS*				
Nominal length	Actual length (B)	In-line unit composition	Anchor qty	Feeder qty
04'	4' (1.218m)	04	2	1
08'	7'-11 ¹ / ₈ " (2.407m)	08	3	
12'	11'-11 ¹ / ₁₆ " (3.649m)	08 + 04	5	
16'	15'-11 ⁵ / ₈ " (4.866m)	2 x 08	6	
20'	19'-11 ³ / ₈ " (6.080m)	2 x 08 + 04	8	
24'	23'-11 ¹ / ₁₆ " (7.297m)	3 x 08	9	
28'	27'-11 ¹ / ₈ " (8.512m)	3 x 08 + 04	11	
32'	31'-11" (9.728m)	4 x 08	12	
36'	35'-10 ³ / ₄ " (10.943m)	4 x 08 + 04	14	
40'	39'-10 ¹ / ₁₆ " (12.160m)	5 x 08	15	
44'	43'-10 ¹ / ₂ " (13.373m)	5 x 08 + 04	17	
48'	47'-10 ¹ / ₄ " (14.591m)	6 x 08	18	
52'	51'-10 ³ / ₁₆ " (15.804m)	6 x 08 + 04	20	
56'	55'-10 ¹ / ₈ " (17.021m)	7 x 08	21	
60'	59'-9 ¹ / ₁₆ " (18.235m)	7 x 08 + 04	23	
64'	63'-9 ³ / ₈ " (19.453m)	8 x 08	24	
68'	67'-9 ⁵ / ₈ " (20.666m)	8 x 08 + 04	26	
72'	71'-9 ¹ / ₁₆ " (21.884m)	9 x 08	27	
76'	75'-9 ³ / ₁₆ " (23.097m)	9 x 08 + 04	29	
80'	79'-9 ¹ / ₄ " (24.314m)	10 x 08	30	
84'	83'-9 ¹ / ₁₆ " (25.528m)	10 x 08 + 04	32	
88'	87'-9" (26.745m)	11 x 08	33	
92'	91'-8 ³ / ₄ " (27.959m)	11 x 08 + 04	35	
96'	95'-8 ¹ / ₁₆ " (29.176m)	12 x 08	36	

*Refer to the anchor guide document for full list of available lengths.