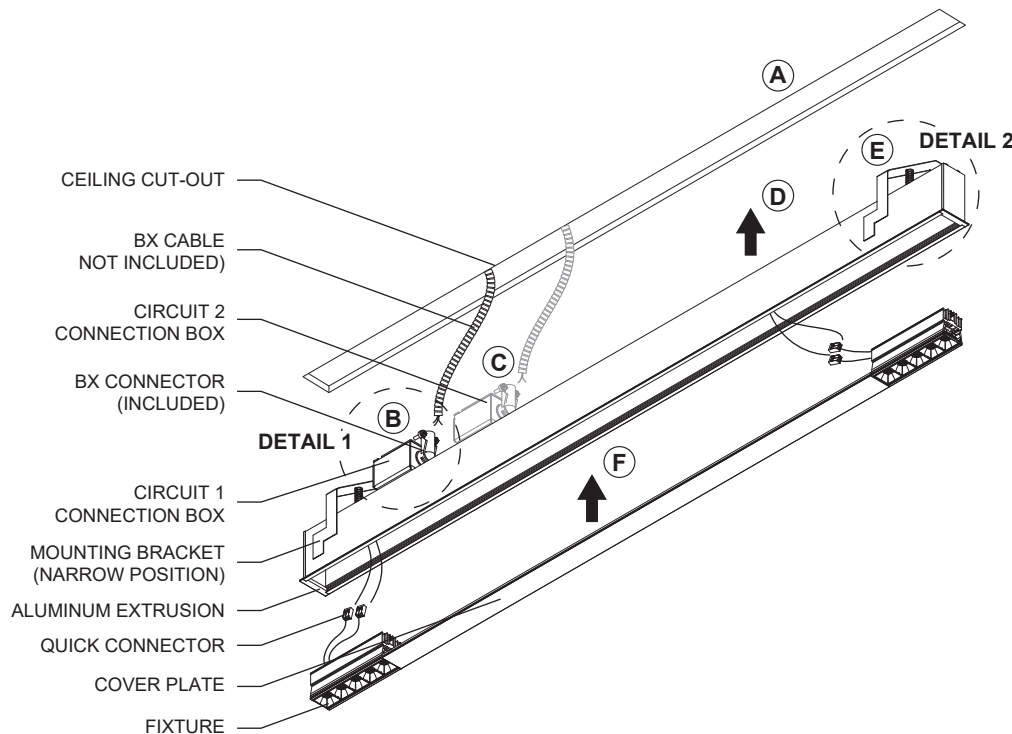


IMPORTANT - READ CAREFULLY BEFORE INSTALLING FIXTURE. RETAIN THESE INSTRUCTIONS FOR FUTURE REFERENCE. THIS PRODUCT MUST BE INSTALLED IN ACCORDANCE WITH THE NATIONAL ELECTRICAL CODE AND ALL APPLICABLE LOCAL CODES, BY A PERSON FAMILIAR WITH THE CONSTRUCTION AND OPERATION OF THE PRODUCT, AND THE HAZARDS INVOLVED. PROPER GROUNDING IS REQUIRED FOR SAFETY.

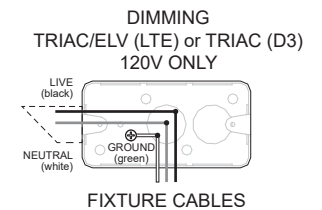
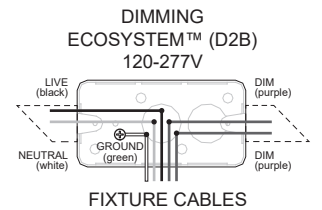
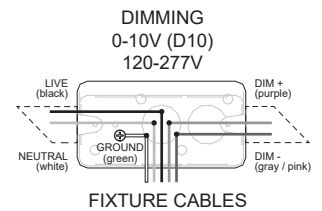
⚠ DISCONNECT THE MAIN LINE BEFORE WIRING SECONDARY CONNECTORS.

IN-LINE UNIT INSTALLATION INTEGRAL DRIVER (120 / 277V) DIMMING TRIAC/ELV (15%), 0-10V (1%), LUTRON HI-LUME® (1% EcoSystem™ / 1% 2-WIRE)

- A- MAKE CEILING CUT-OUT (SEE TABLE ON PAGE 3).
- B- OPEN THE CONNECTION BOXES ON TOP OF THE FIXTURE. UNSCREW THE BOXES PHILLIPS SCREW TO SLIDE OUT THE COVER. (SEE DETAIL 1)
- C- INSERT AND LOCK THE BX CABLE (NOT INCLUDED) INTO THE BX CONNECTORS (INCLUDED) AND MAKE NECESSARY WIRE CONNECTIONS (SEE WIRING DIAGRAM) USING TWIST CONNECTORS (NOT INCLUDED).
- D- WITH THE MOUNTING BRACKETS IN THE NARROW POSITION, GENTLY INSERT THE FIXTURE INTO THE CEILING CUT-OUT.
- E- SCREW THE MOUNTING BRACKET SCREWS CLOCKWISE TO WIDEN AND LOWER THE MOUNTING BRACKETS ON THE CEILING. (SEE DETAIL 2)
- F- CONNECT THE LIGHTING FIXTURES USING THE QUICK CONNECTORS (INCLUDED) AND SNAP THEM BACK INTO THE ALUMINUM EXTRUSION. FILL THE GAPS WITH THE COVER PLATES.

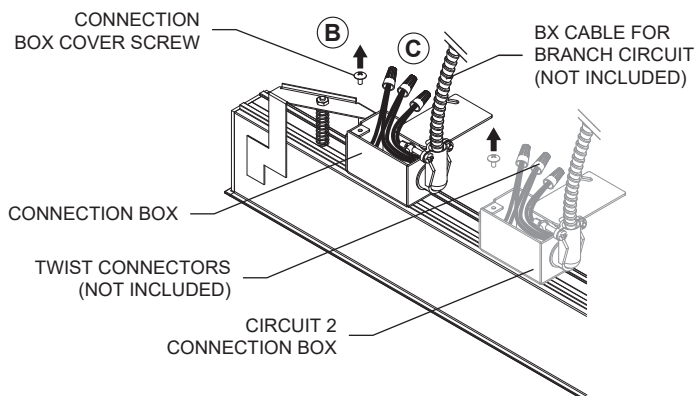


WIRING DIAGRAM

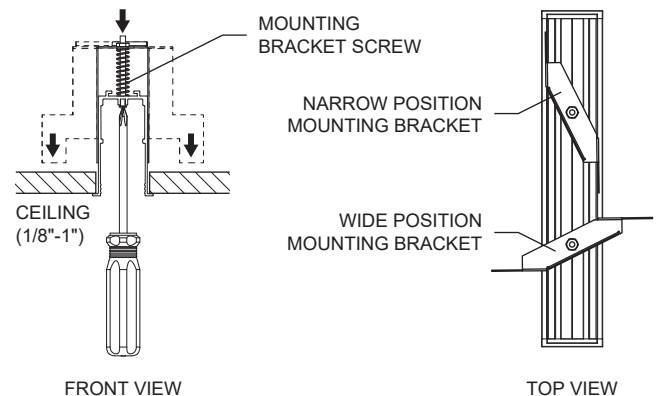


*for reference only

DETAIL 1



DETAIL 2



RECESSED CUT-OUT DIMENSIONS

SOLO UNIT 4'



SOLO UNIT 8'



CUT-OUT FOR LINEAR RECESSED ALL CONFIGURATIONS		
Nominal length	Actual length	Cut-out
04'	3'-11" (1.194m)	1 1/4" x 46 3/4" (44mm x 1.189m)
08'	7'-11" (2.413m)	1 1/4" x 94 3/4" (44mm x 2.409m)