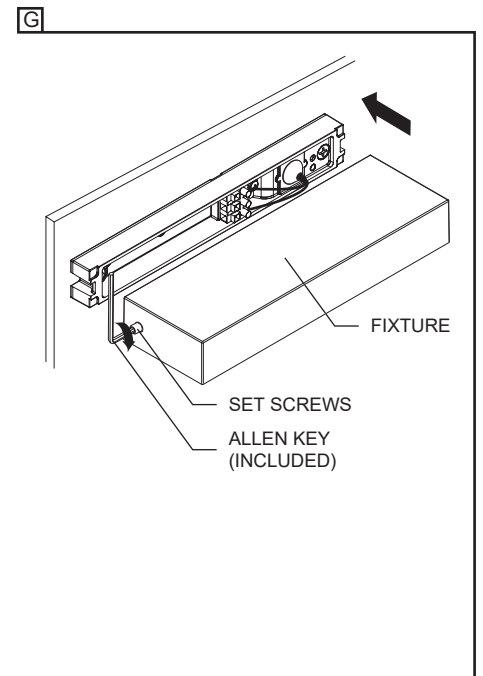
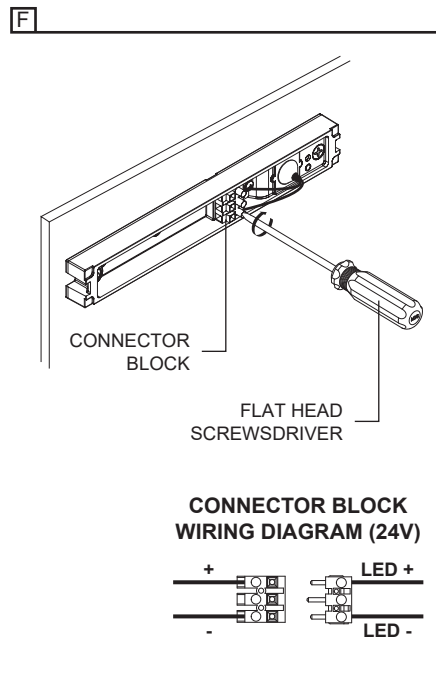
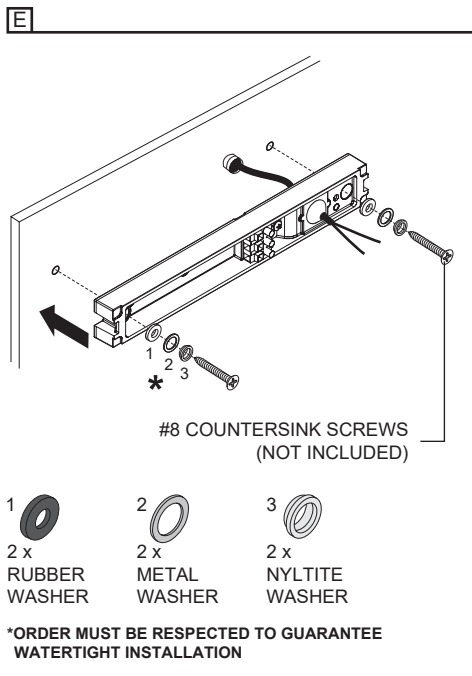
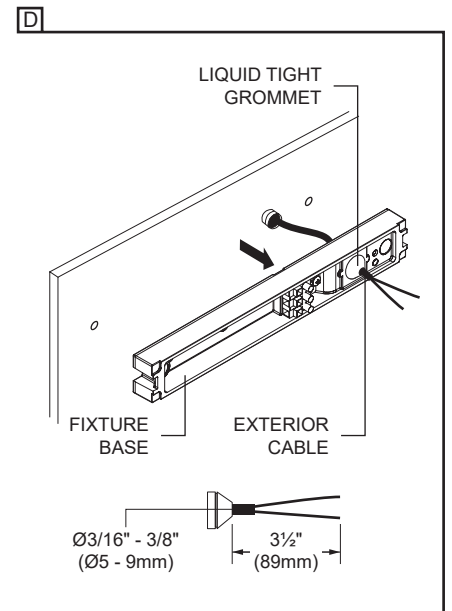
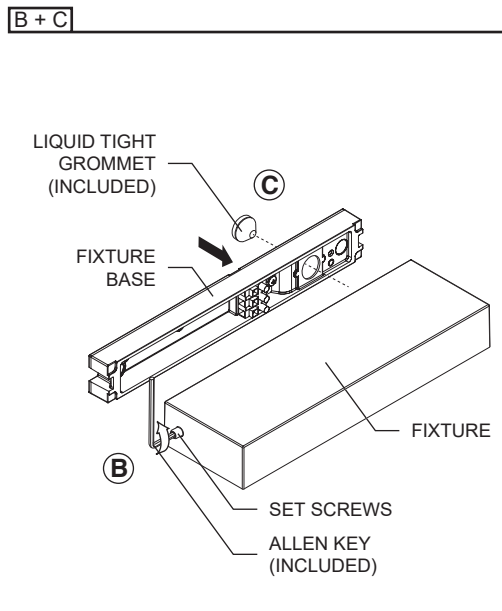
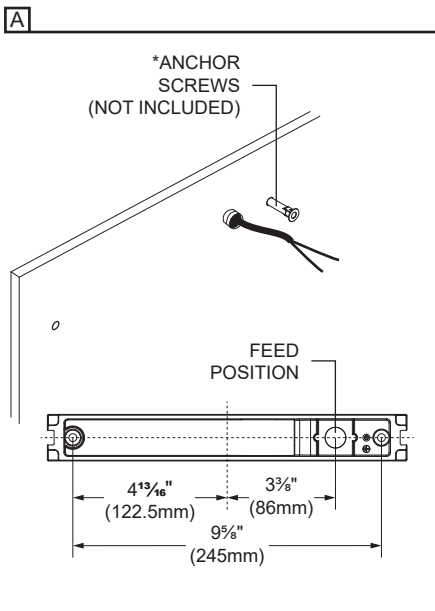


IMPORTANT - READ CAREFULLY BEFORE INSTALLING FIXTURE. RETAIN THESE INSTRUCTIONS FOR FUTURE REFERENCE. THIS PRODUCT MUST BE INSTALLED IN ACCORDANCE WITH THE NATIONAL ELECTRICAL CODE AND ALL APPLICABLE LOCAL CODES, BY A PERSON FAMILIAR WITH THE CONSTRUCTION AND OPERATION OF THE PRODUCT, AND THE HAZARDS INVOLVED. PROPER GROUNDING IS REQUIRED FOR SAFETY.

⚠ DISCONNECT THE MAIN LINE BEFORE WIRING SECONDARY CONNECTORS.

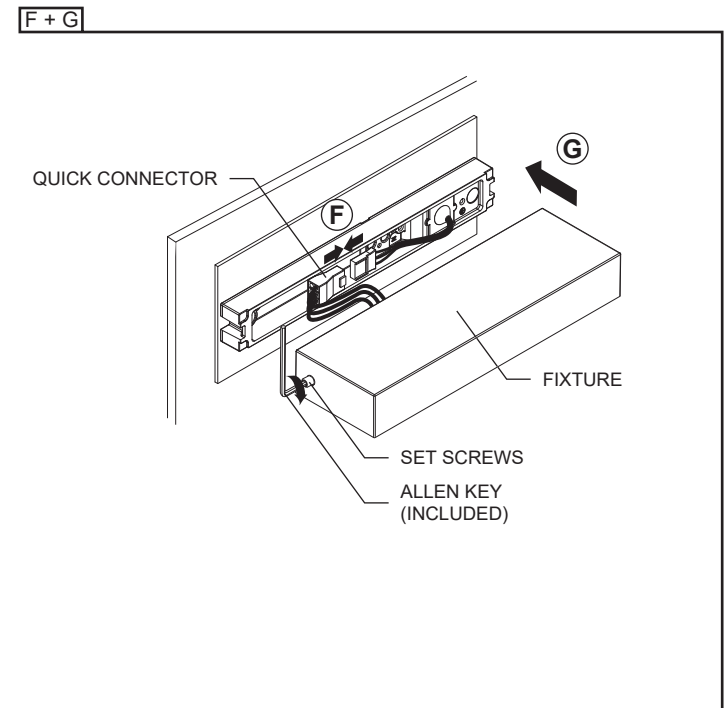
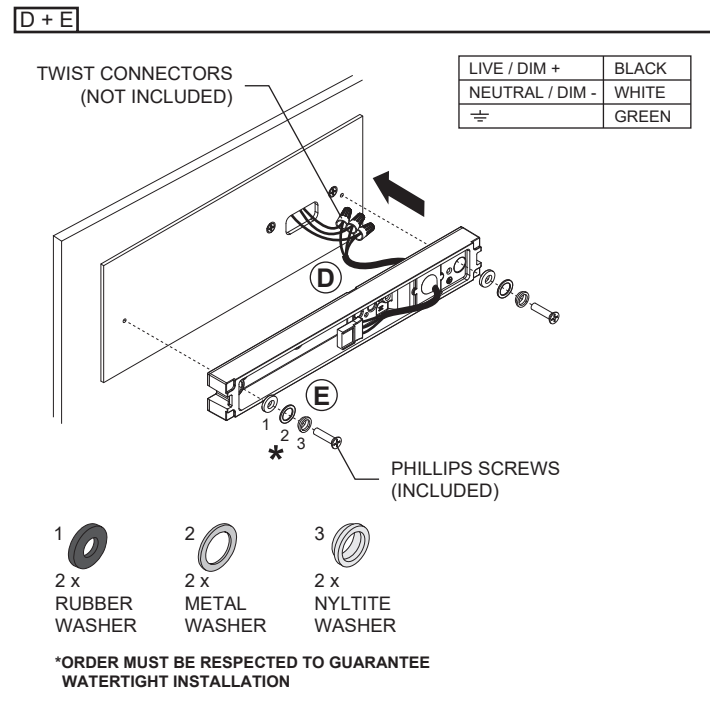
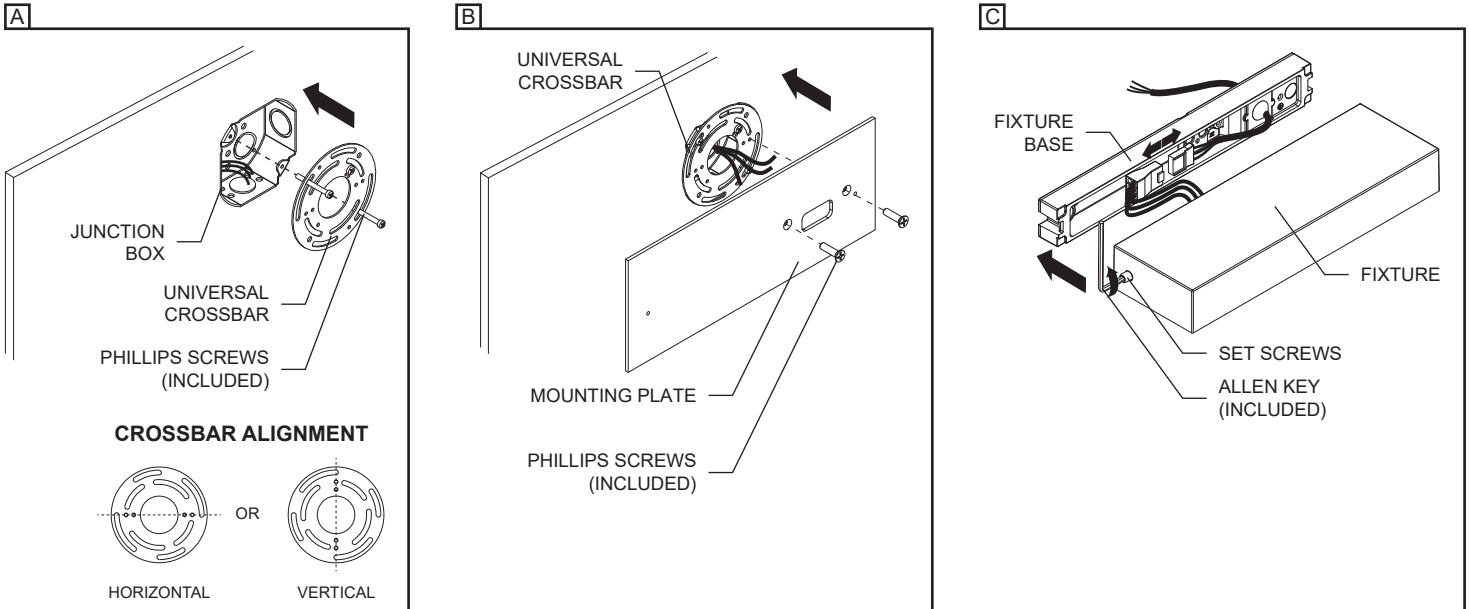
DIRECT FEED INSTALLATION (DF) - LOW VOLTAGE (24V) REMOTE DRIVER (REM)

- A- PREPARE SURFACE FOR INSTALLATION (**SEE DIMENSIONS BELOW**). *INSERT (2) ANCHOR SCREWS (**NOT INCLUDED**) IF NECESSARY.
- B- UNFASTEN THE SET SCREWS WITH AN ALLEN KEY (**INCLUDED**) TO REMOVE THE FIXTURE FROM THE BASE. DO NOT COMPLETELY REMOVE THE SET SCREWS.
- C- INSERT THE LIQUID TIGHT GROMMET (**INCLUDED**) INTO FIXTURE BASE.
- D- PASS EXTERIOR CABLE THROUGH LIQUID TIGHT GROMMET.
- E- USING (2) #8 COUNTERSINK SCREWS (**NOT INCLUDED**) AND (6) WASHERS (**INCLUDED**), INSTALL THE FIXTURE BASE TO THE WALL.
- *TO GUARANTEE A WATERTIGHT INSTALLATION, MAKE SURE TO INSERT THE WASHERS IN THE CORRECT ORDER (**SEE BELOW**).
- F- MAKE ALL NECESSARY WIRE CONNECTIONS INTO THE CONNECTOR BLOCK USING A SCREWSDRIVER (**SEE WIRING DIAGRAM BELOW**).
- G- FASTEN THE FIXTURE ON ITS BASE WITH THE SET SCREWS WITH AN ALLEN KEY (**INCLUDED**).



4" JUNCTION BOX INSTALLATION (JB) LOW VOLTAGE (24V) REMOTE DRIVER (REM) OR INTEGRAL DRIVER 120-277V (UNV)

- A- FIX THE UNIVERSAL CROSSBAR TO THE 4" JUNCTION BOX USING (2) PHILLIPS SCREWS (INCLUDED).
MAKE SURE THE UNIVERSAL CROSSBAR IS PROPERLY ALIGNED.
- B- INSTALL THE MOUNTING PLATE ON THE UNIVERSAL CROSSBAR USING (2) PHILLIPS SCREWS (INCLUDED).
- C- UNFASTEN THE SET SCREWS WITH AN ALLEN KEY (INCLUDED) AND DISCONNECT THE QUICK CONNECTOR TO REMOVE THE FIXTURE FROM THE BASE. DO NOT COMPLETELY REMOVE THE SET SCREWS.
- D- MAKE WIRE CONNECTIONS (FOLLOWING POLARITY MARKING) USING WATERTIGHT TWIST CONNECTORS (NOT INCLUDED)
- E- USING (2) PHILLIPS SCREWS AND (6) WASHERS (INCLUDED), INSTALL THE FIXTURE BASE TO THE WALL.
- *TO GUARANTEE A WATERTIGHT INSTALLATION, MAKE SURE TO INSERT THE WASHERS IN THE CORRECT ORDER (SEE BELOW).
- F- RECONNECT THE QUICK CONNECTOR.
- G- FASTEN THE FIXTURE ON ITS BASE WITH THE SET SCREWS WITH AN ALLEN KEY (INCLUDED).



2" JUNCTION BOX INSTALLATION (J2) LOW VOLTAGE (24V) REMOTE DRIVER (REM) OR INTEGRAL DRIVER 120-277V (UNV)

- A- INSTALL THE MOUNTING PLATE ON THE 2" JUNCTION BOX USING (2) PHILLIPS SCREWS (INCLUDED).
MAKE SURE THE 2" JUNCTION BOX IS PROPERLY ALIGNED.
- B- UNFASTEN THE SET SCREWS WITH AN ALLEN KEY (INCLUDED) AND DISCONNECT THE QUICK CONNECTOR TO REMOVE THE FIXTURE FROM THE BASE. DO NOT COMPLETELY REMOVE THE SET SCREWS.
- C- MAKE WIRE CONNECTIONS (FOLLOWING POLARITY MARKING) USING WATERTIGHT TWIST CONNECTORS (NOT INCLUDED)
- D- USING (2) PHILLIPS SCREWS AND (6) WASHERS (INCLUDED), INSTALL THE FIXTURE BASE TO THE WALL.
*TO GUARANTEE A WATERTIGHT INSTALLATION, MAKE SURE TO INSERT THE WASHERS IN THE CORRECT ORDER (SEE BELOW).
- E- RECONNECT THE QUICK CONNECTOR.
- F- FASTEN THE FIXTURE ON ITS BASE WITH THE SET SCREWS WITH AN ALLEN KEY (INCLUDED).

