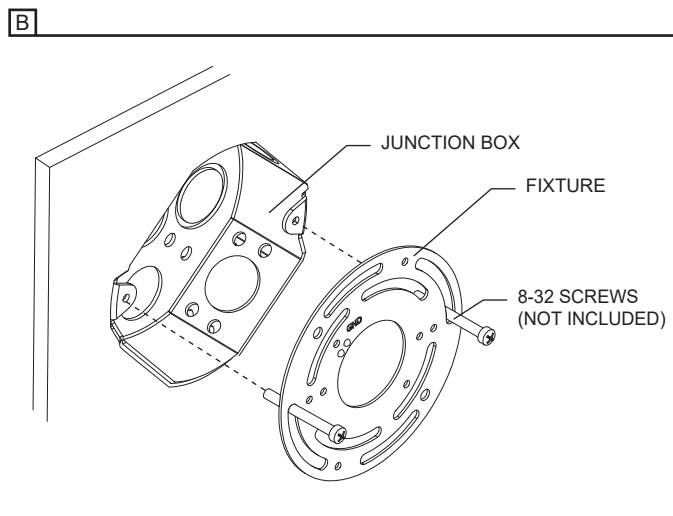
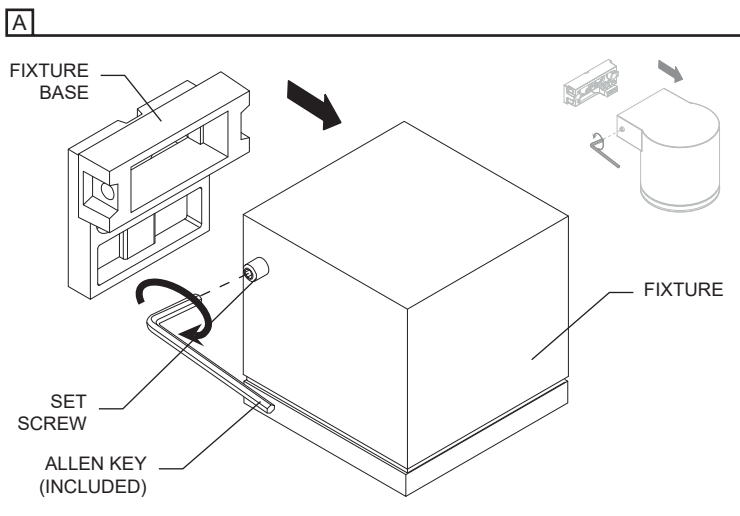


IMPORTANT - READ CAREFULLY BEFORE INSTALLING FIXTURE. RETAIN THESE INSTRUCTIONS FOR FUTURE REFERENCE. THIS PRODUCT MUST BE INSTALLED IN ACCORDANCE WITH THE NATIONAL ELECTRICAL CODE AND ALL APPLICABLE LOCAL CODES, BY A PERSON FAMILIAR WITH THE CONSTRUCTION AND OPERATION OF THE PRODUCT, AND THE HAZARDS INVOLVED. PROPER GROUNDING IS REQUIRED FOR SAFETY.

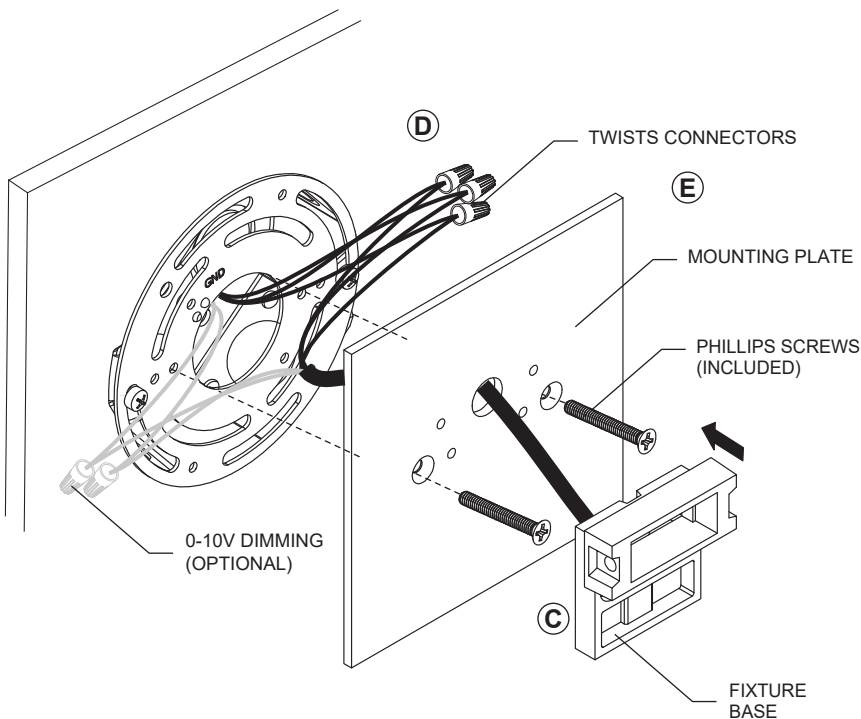
INSTALLATION ON 4" JUNCTION BOX INTEGRAL DRIVER (120-277V)

FOR USE WITH STANDARD 4" JUNCTION BOX (120V)

- A- UNFASTEN THE FIXTURE (2) SET SCREWS USING THE ALLEN KEY (INCLUDED). DO NOT COMPLETELY REMOVE SCREWS.
- B- INSTALL THE CROSSBAR ON THE JUNCTION BOX (NOT INCLUDED) WITH (2) 8-32 SCREWS (NOT INCLUDED).
- C- PASS THE CABLE THROUGH THE CENTER HOLES OF THE MOUNTING PLATE AND CROSSBAR.
- D- MAKE ALL THE NECESSARY CONNECTIONS (SEE WIRING DIAGRAM) USING TWIST CONNECTORS (NOT INCLUDED).
- E- INSTALL THE MOUNTING PLATE ON THE CROSSBAR WITH THE (2) PHILLIPS SCREWS (INCLUDED).

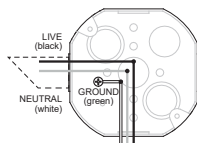


C + D + E



WIRING DIAGRAM

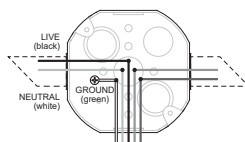
NO DIMMING



FIXTURE CABLES

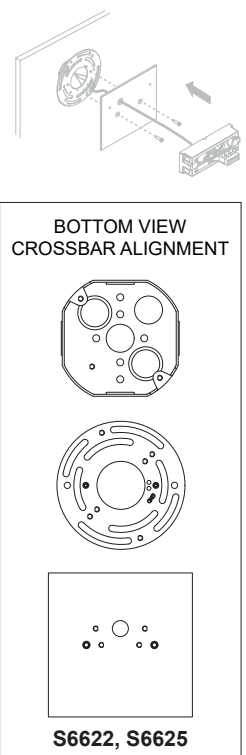
WIRING DIAGRAM

DIMMING 120-277V
0-10V (D10)



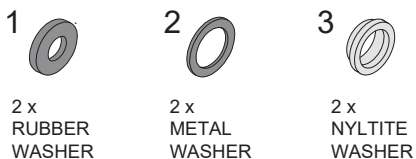
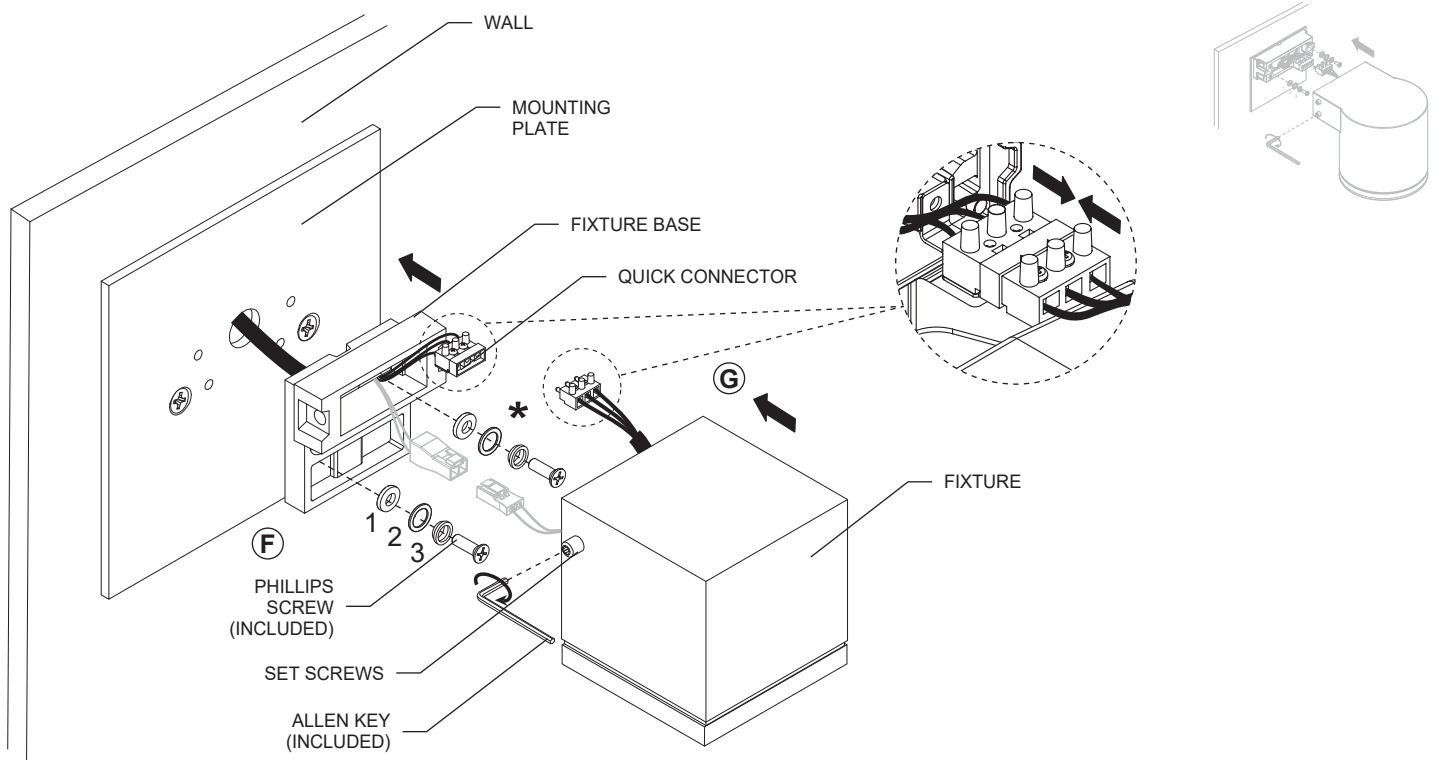
FIXTURE CABLES

! If the wires for 0-10V dimming are not used, protect wire ends with twist connectors.



- F- INSTALL THE FIXTURE BASE ON THE MOUNTING PLATE , USING (2) PHILLIPS SCREWS (**INCLUDED**) AND THE WASHERS IN THIS SPECIFIC ORDER AND POSITION (**SEE BELOW**).
- G- CONNECT THE QUICK CONNECTOR (**INCLUDED**), AND FASTEN THE FIXTURE ON THE BASE WITH THE (2) SET SCREWS USING THE ALLEN KEY (**INCLUDED**).

F + G



*ORDER MUST BE RESPECTED TO GUARANTEE WATERTIGHT INSTALLATION