



Collection of pendants luminaire for commercial and institutional applications. Dim to warm technology - 3000K to 1800K. Canopy mounted, with complete range of optical accessories. Studio is a flexible solution for general lighting in large spaces. Unique thermal management design guarantees long lasting performance.

**Luminaire characteristic:**

**Power input:** 15W to 27.5W  
**Lumens:** 810lm to 1 895lm (for 3000K, 90CRI)  
**Luminaire efficacy:** Up to 68lm/W

**Source:** BRIDGELUX DIM TO WARM LED MODULE (LM-80), 3000K - 1800K, 90CRI.  
**Lumen maintenance:** 90% of initial lumens at 132 000 hours (L90).

**Optics:** Available in spot, flood and wide flood.

**Material:** Optical body and trim: Die-cast aluminum  
Heat sink: Aluminum alloys.  
Lens: PMMA TIR lens.

**Mounting:** Supplied with 5' (1524mm) suspension cable (field adjustable) and a round painted canopy to be installed on a standard 4" octogonal junction box. For longer suspension cable, contact factory.

**Electrical:** Integral high efficiency power supply rated at 50 000 hours, 120V or 120-277V.

**Dimming:** 0-10V dimming (120-277V) or leading (TRIAC) and trailing edge (ELV) dimming (120V only), down to 5% for small and 10% for medium and large model.

**Finish:** White RAL9003 or matte black.  
Cable and canopy color follows fixture color.

**Weight:** Up to 3.9lbs (1.77kg)

**Warranty:** 5 year limited warranty.

**Ratings:** IP20

**Certification:**  cULus listed for damp location.

**ORDERING INFO**

**CPBO - D91830 - - -**  
FIXTURE

**MODEL**

- 1770 - Small       1780 - Medium       1790 - Large

**MOUNTING<sup>(1)</sup>**

- C - Canopy

**TYPE**

- P - Pendant

**OUTPUT**

- BO - Base output

**LED**

- D91830 - 1800-3000K, 90 CRI

**OPTIC**

- LSP - Lens spot  
-Studio small (25°)  
-Studio medium (25°)  
-Studio large (25°)
- LFL - Lens flood  
-Studio small (37°)  
-Studio medium (33°)  
-Studio large (33°)
- LWF - Lens wide flood  
-Studio small (51°)  
-Studio medium (53°)  
-Studio large (53°)

**VOLTAGE**

- 120 - 120V       UNV - 120-277V

**FINISH**

- 01 - White       52 - Matte black

**DIMMING\*\***

- D10 - 0-10V       LTE - Leading and trailing edge dimming (120V only)

<sup>(1)</sup> Also available with one or two circuit tracks upon request. Please contact customer service.

\*\*5% for small and 10% for medium and large models dimming options: for leading and trailing edge and 0-10V (LTE and D10), the dimming levels will vary depending on the dimmer used and the number of luminaires on the line

**ACCESSORIES (TO BE ORDERED SEPARATELY)**  
Fixture can hold a maximum of 2 accessories at a time.



**SOFT FOCUS LENS**

- 1593** - For studio small
- 1725** - For studio medium & large



**BLACK CROSS BAFFLE**

- 1694-52** - For Studio small (Length: 7/8" - 21mm)
- 1730-52**- For Studio medium (Length: 1 1/2" - 38mm)
- 1724-52** - For Studio large (Length: 1 3/4" - 47mm)



**FROSTED LENS**

- 1599** - For Studio small
- 1726** - For Studio medium & large



**BLACK SNOOT**

- 1697-52** - For Studio small (Length: 1 1/8" - 40mm)
- 1729-52** - For studio medium (Length: 2 1/2" - 64mm)
- 1732-52** - For studio large (Length: 2 7/8" - 72mm)



**ELLIPTIC LENS**

- 1598** - For Studio small
- 1727** - For Studio medium & large



**WHITE SNOOT / BLACK INTERIOR**

- 1697-21** - For Studio small (Length: 1 1/8" - 40mm)
- 1729-21** - For studio medium (Length: 2 1/2" - 64mm)
- 1732-21** - For studio large (Length: 2 7/8" - 72mm)

**BLACK HEX CELL LOUVER**

- 1596-52** - For Studio small
- 1728-52** - For Studio medium & large



**BLACK VISOR WALL WASHER**

- 1700-52** - For studio small (Length: 1 5/8" - 40mm)
- 1731-52** - For studio medium (Length: 2 1/2" - 64mm)
- 1733-52** - For studio large (Length: 2 7/8" - 72mm)



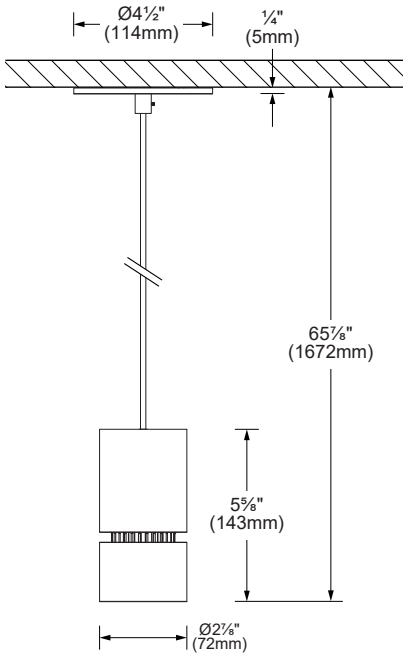
**ADJUSTABLE BARN DOORS**

- 1739-52** - For studio medium (Length: 3 1/4" - 83mm)
- 1734-52** - For studio large (Length: 3 3/4" - 93.5mm)

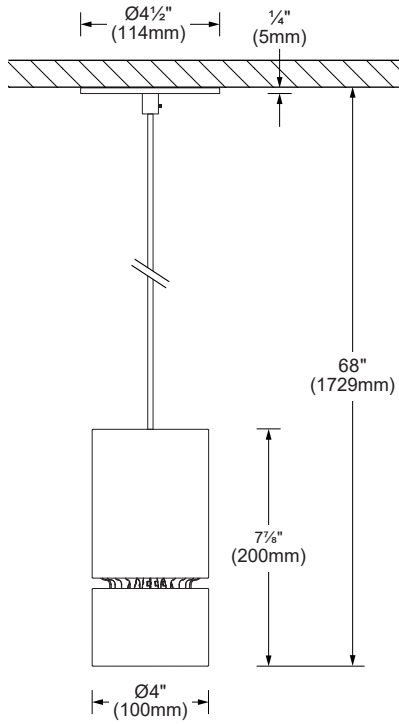


**DIMENSIONS**

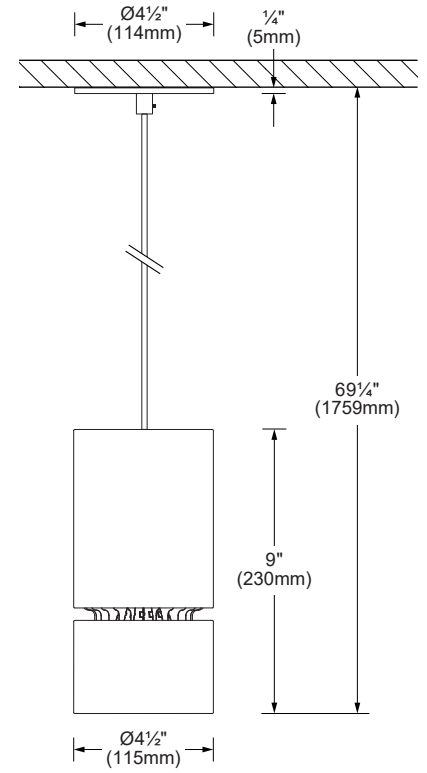
**SMALL (1770)**



**MEDIUM (1780)**



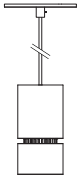
**LARGE (1790)**



**PHOTOMETRIC DATA**

Visit [sistimalux.com](http://sistimalux.com) for complete photometric data.

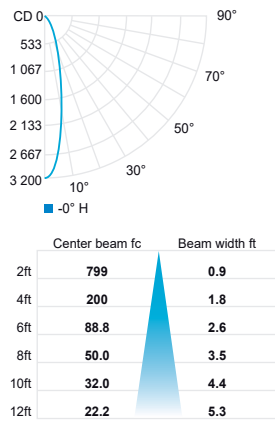
**SMALL (1770)**



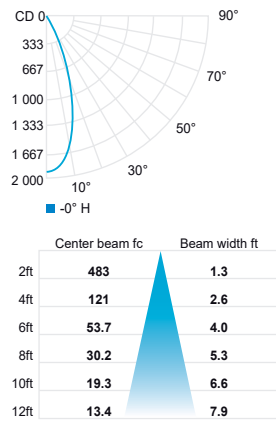
CCT (K)*	CRI	LOAD (W)	OPTIC	LUMENS (lm)	EFFICACY (lm / w)	MAX CANDELA (cd)	MODELS
3000K 1800K	90	15W	Lens spot 25°	815	54	3 195	1770-D91830-LSP
			Lens flood 37°	890	59	1 930	1770-D91830-LFL
			Lens wide flood 51°	810	54	1 005	1770-D91830-LWF

\* DATA SHOWN FOR NON DIMMED LUMINAIRE (100% OUTPUT)

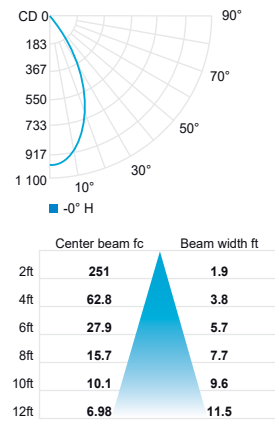
Lens spot 25° (3000K, 90 CRI)



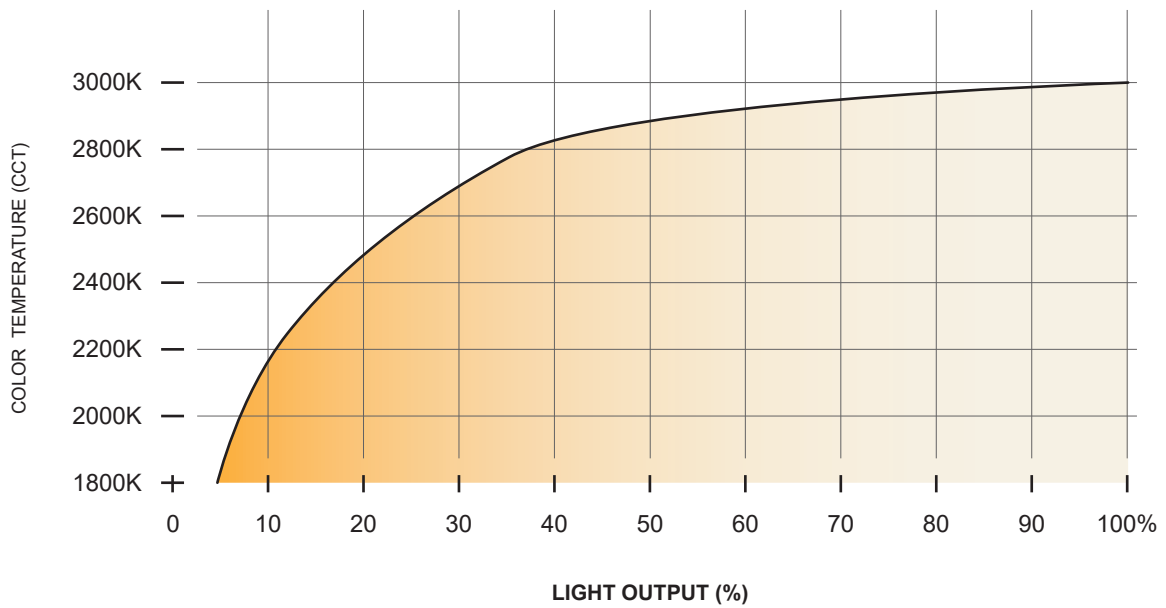
Lens flood 37° (3000K, 90 CRI)



Lens wide flood 51° (3000K, 90 CRI)



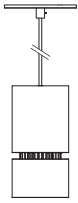
**COLOR TEMPERATURE DIMMING BEHAVIOR**



**PHOTOMETRIC DATA**

Visit [sistimalux.com](http://sistimalux.com) for complete photometric data.

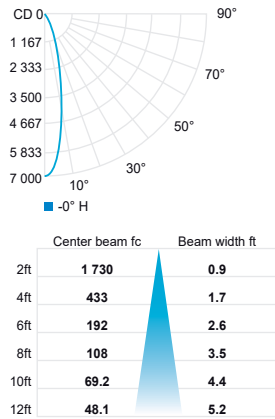
**MEDIUM (1780)**



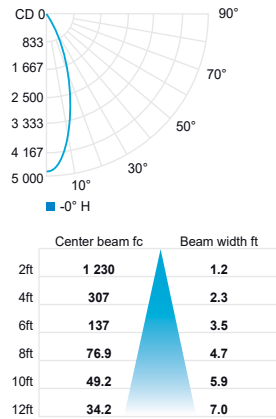
CCT (K)*	CRI	LOAD (W)	OPTIC	LUMENS (lm)	EFFICACY (lm / w)	MAX CANDELA (cd)	MODELS
3000K 1800K	90	27.5W	Lens spot 25°	1 740	63	6 920	1780-D91830-LSP
			Lens flood 33°	1 895	68	4 915	1780-D91830-LFL
			Lens wide flood 53°	1 760	64	2 085	1780-D91830-LWF

\* DATA SHOWN FOR NON DIMMED LUMINAIRE (100% OUTPUT)

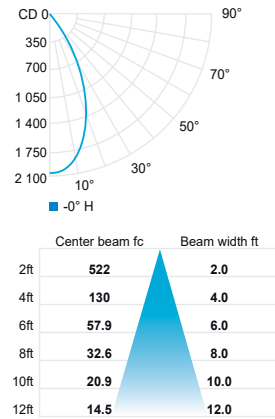
Lens spot 25° (3000K, 90 CRI)



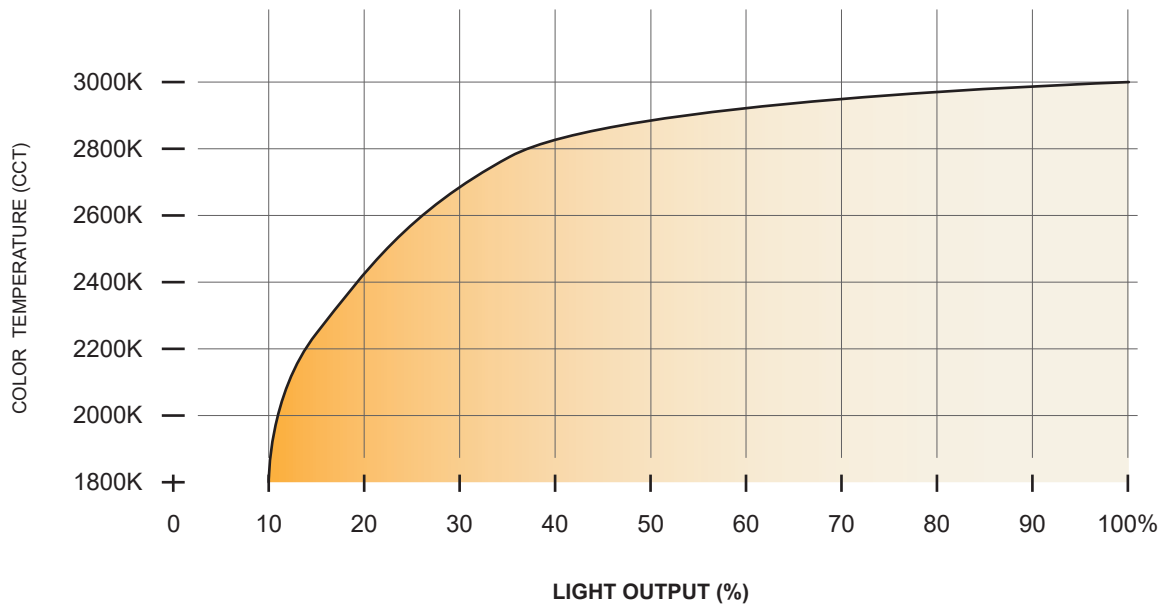
Lens flood 33° (3000K, 90 CRI)



Lens wide flood 53° (3000K, 90 CRI)



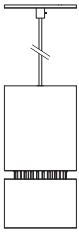
**COLOR TEMPERATURE DIMMING BEHAVIOR**



**PHOTOMETRIC DATA**

Visit [sistemalux.com](http://sistemalux.com) for complete photometric data.

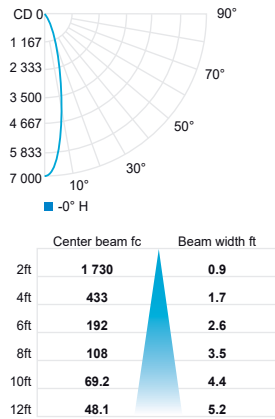
**LARGE (1790)**



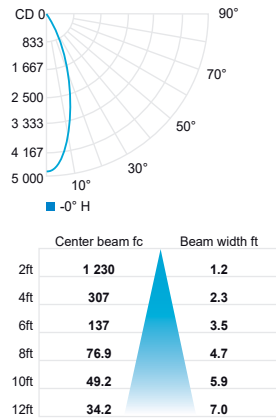
CCT (K)*	CRI	LOAD (W)	OPTIC	LUMENS (lm)	EFFICACY (lm / w)	MAX CANDELA (cd)	MODELS
3000K 1800K	90	27.5W	Lens spot 25°	1 740	63	6 920	1790-D91830-LSP
			Lens flood 33°	1 895	68	4 915	1790-D91830-LFL
			Lens wide flood 53°	1 760	64	2 085	1790-D91830-LWF

\* DATA SHOWN FOR NON DIMMED LUMINAIRE (100% OUTPUT)

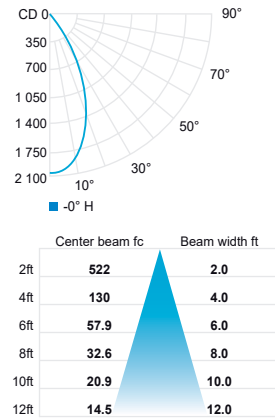
Lens spot 25° (3000K, 90 CRI)



Lens flood 33° (3000K, 90 CRI)



Lens wide flood 53° (3000K, 90 CRI)



**COLOR TEMPERATURE DIMMING BEHAVIOR**

