

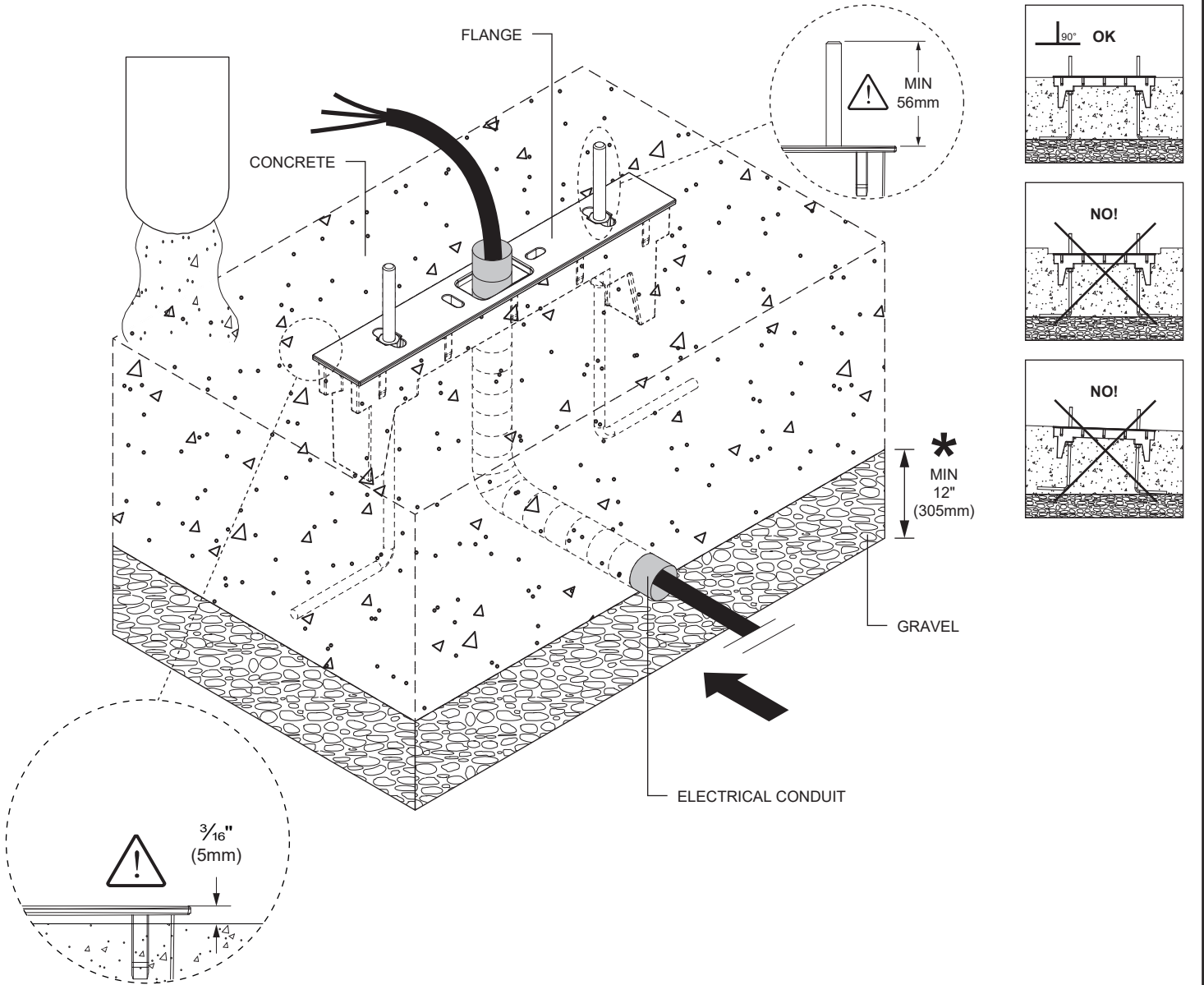
**IMPORTANT** - READ CAREFULLY BEFORE INSTALLING FIXTURE. RETAIN THESE INSTRUCTIONS FOR FUTURE REFERENCE. THIS PRODUCT MUST BE INSTALLED IN ACCORDANCE WITH THE NATIONAL ELECTRICAL CODE AND ALL APPLICABLE LOCAL CODES, BY A PERSON FAMILIAR WITH THE CONSTRUCTION AND OPERATION OF THE PRODUCT, AND THE HAZARDS INVOLVED. PROPER GROUNDING IS REQUIRED FOR SAFETY.

**GROUND INSTALLATION IN CONCRETE WITH FLANGE.  
INTEGRAL DRIVER 120-277V (UNV)**

A- DIG A HOLE (SEE DIMENSIONS BELOW), PUT THE FLANGE AND AN ELECTRICAL CONDUIT INTO THE GROUND. POUR CONCRETE AND MAKE SURE IT IS LEVELED WITH THE FLANGE.

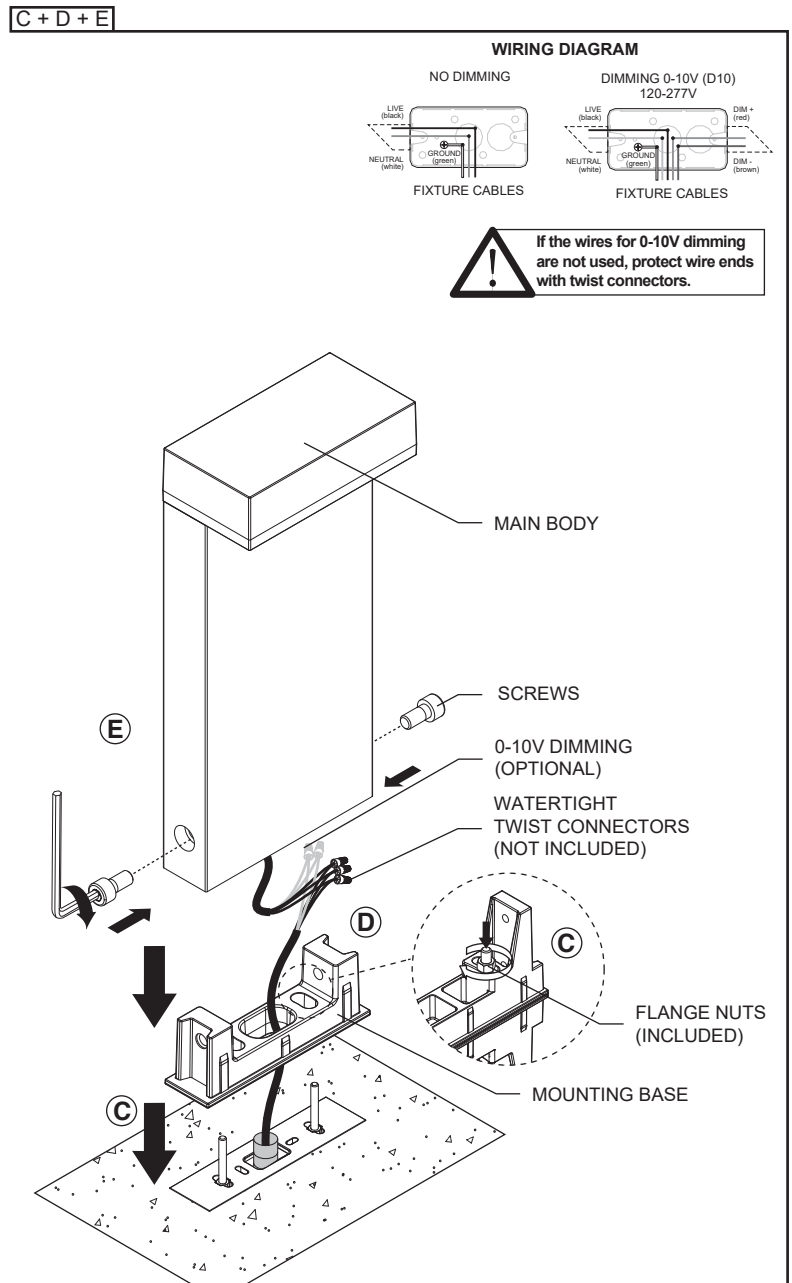
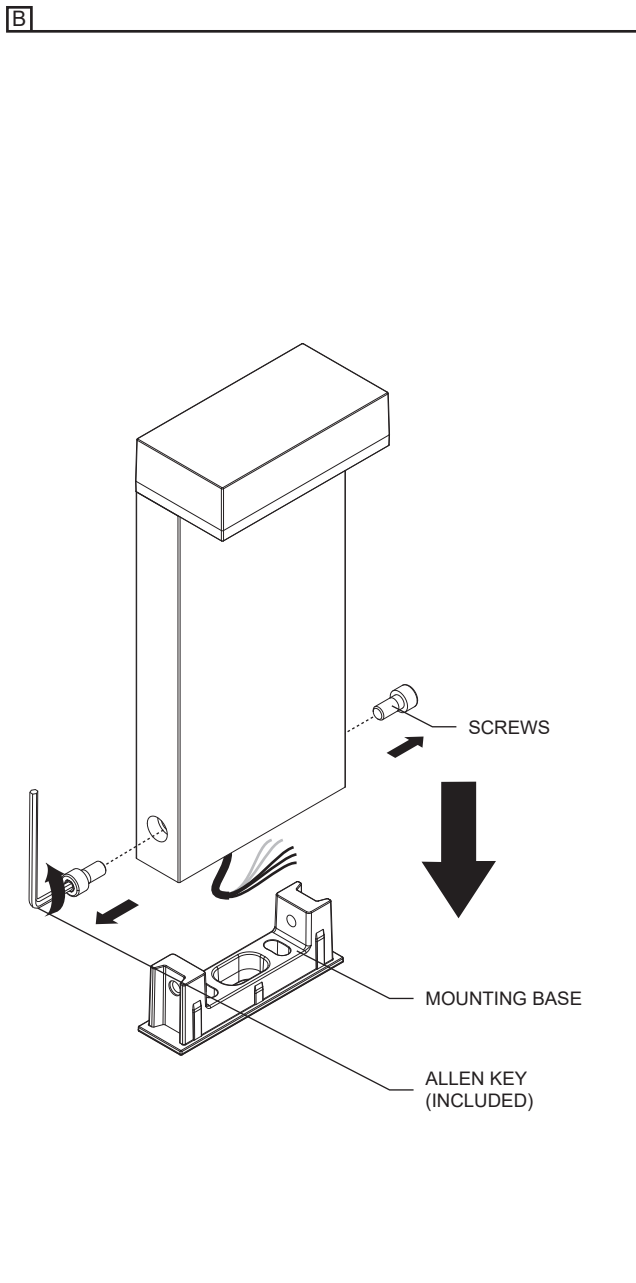
**\*MINIMUM OF 12" OF GRAVEL IS REQUIRED BELOW THE LUMINAIRE TO ALLOW PROPER DRAINAGE).**

**A**



Model	Model Code	Flange code	Flange dimensions
MICROLOOK	S7212, S7213	<b>S7219</b>	4 <sup>13</sup> / <sub>16</sub> " x 1 <sup>1</sup> / <sub>4</sub> " x 9 <sup>1</sup> / <sub>4</sub> " (122 x 33 x 235mm)

- B- UNFASTEN THE SCREWS WITH THE ALLEN KEY (INCLUDED) AND PULL THE MOUNTING BASE OFF THE MAIN BODY.  
 C- FASTEN THE MOUNTING BASE TO THE FLANGE USING (2) FLANGE NUTS (INCLUDED).  
 D- MAKE WIRE CONNECTIONS (FOLLOWING POLARITY MARKING) USING WATERTIGHT TWIST CONNECTORS (NOT INCLUDED).  
 E- PLACE THE MAIN BODY ONTO THE MOUNTING BASE AND FASTEN THE SCREWS WITH AN ALLEN KEY (INCLUDED).



**GROUND INSTALLATION ON ALTERNATIVE SURFACE WITHOUT FLANGE.  
INTEGRAL DRIVER 120-277V (UNV)**

- A- UNFASTEN THE SCREWS WITH THE ALLEN KEY (INCLUDED) AND PULL THE MOUNTING BASE OFF THE MAIN BODY.
- B- FASTEN THE MOUNTING BASE TO THE SURFACE USING (2) APPROPRIATE WOOD OR CONCRETE ANCHOR SCREWS (NOT INCLUDED).
- C- MAKE WIRE CONNECTIONS (FOLLOWING POLARITY MARKING) USING WATERTIGHT TWIST CONNECTORS (NOT INCLUDED).
- D- PLACE MAIN BODY ONTO THE MOUNTING BASE AND FASTEN THE SCREWS WITH AN ALLEN KEY (INCLUDED).

